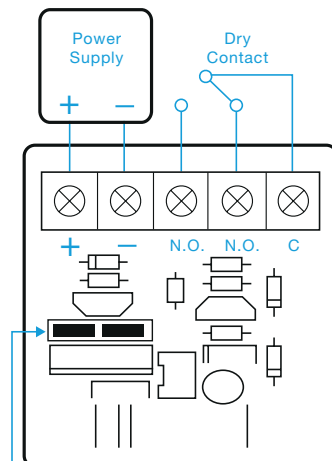
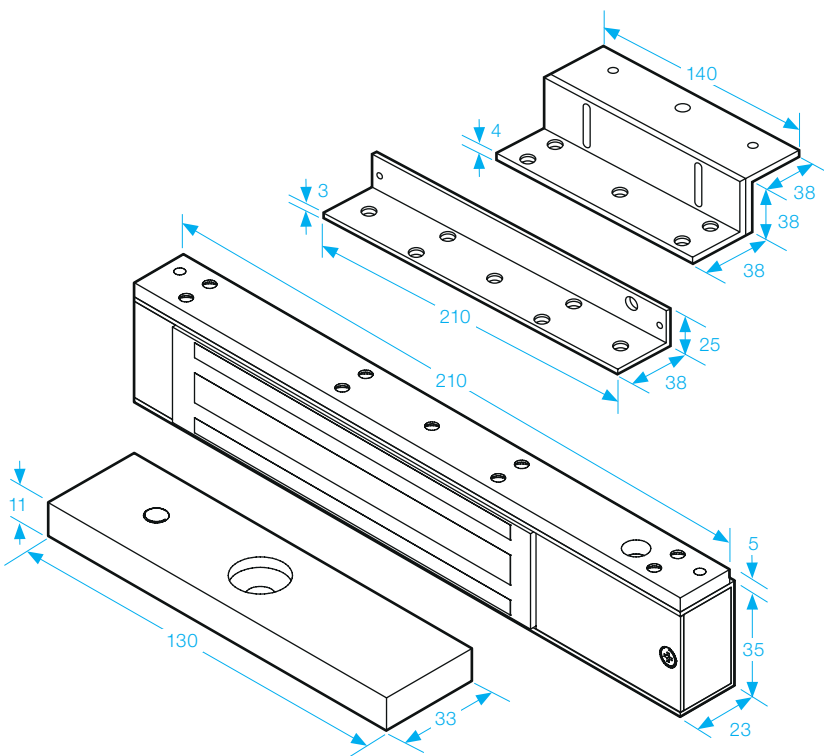


# UL136-SL

## Monitored Micro Magnet

- Operating voltage 12~24Vdc
- Aluminium
- Fail-Safe (*Power to Lock*)
- Holding force up to 300lbs (136Kg)
- Status LED ● Red ● Green



**CAUTION**  
Before power on the unit,  
set the power selector jumper  
correctly.



### SPECIFICATION

- Voltage tolerance:  $\pm 15\%$ .
- Current draw: 300mA at 12Vdc, 150mA at 24Vdc (at temperature 20°C).
- Operating temperature: -10~55°C (14 to 131°F).
- Magnetic bond sensor monitor output remotely monitors the door lock or unlock status. (N.C.Output-Door opened; N.O.Output door closed) (SPDT rated 0.25A at 12Vdc).
- Special Zinc finish for magnet and armature plate.
- Weight: 1.2kg (approx).