

## U10060 UNMONITORED

## U10060DS UNMONITORED WITH DOOR STATUS

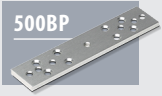
### Double Standard Magnet

- Operating voltage 12~24Vdc (*Selectable*)
- Holding force up to 2 x 1200lbs (*544Kg*)
- Aluminium housing
- Electroless nickel plated armature
- Door status: An independent contact that works separately from the magnet to show door status not lock status



#### OPTIONS

500BP



U520S



U500ZL



500ZLDC



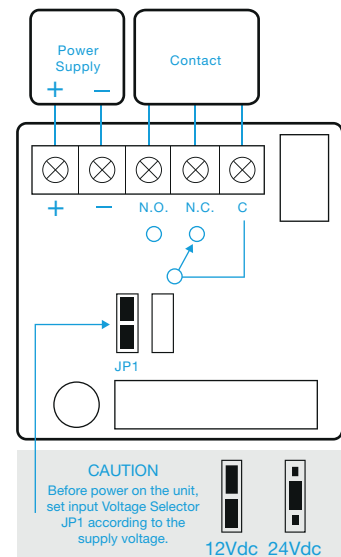
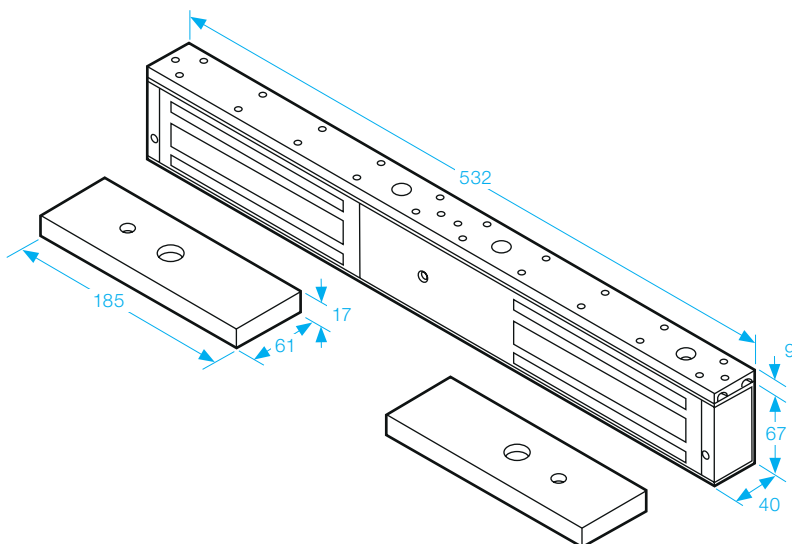
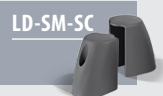
U500AL



UGDB14



LD-SM-SC



#### SPECIFICATION

- Voltage tolerance:  $\pm 10\%$ .
- Current draw: 420mA at 12Vdc, 210mA at 24Vdc (*at temperature 20°C*).
- Operating temperature: -10~55°C (*14 to 131°F*).
- Lock's surface temperature: Current temperature  $\pm 20\%$  (*when power is on*).
- Humidity: 0~95% non-condensing.
- Aluminium housing, nickel plated armature.
- Weight: 9.3kg (*approx*).