



PBT-861BS Series

Exit Button

- Brushed Stainless Steel
- 85mm raised button
- Legend: Wheelchair symbol
- Flush mount
- COM-N/O
COM-N/C

PBT-861BS-R

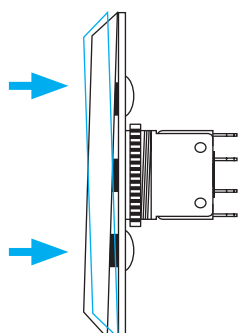
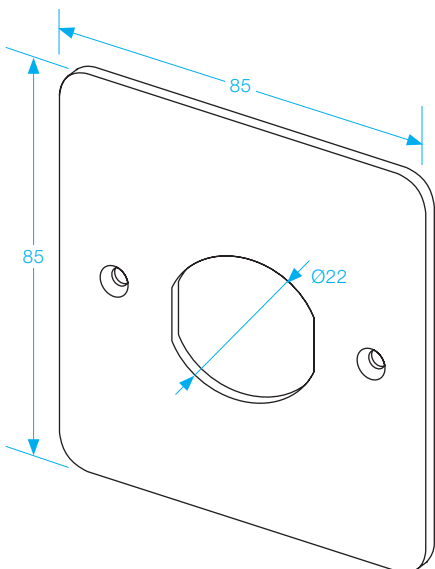
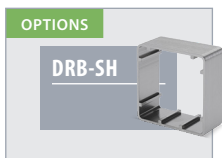
RED BUTTON

PBT-861BS-G

GREEN BUTTON

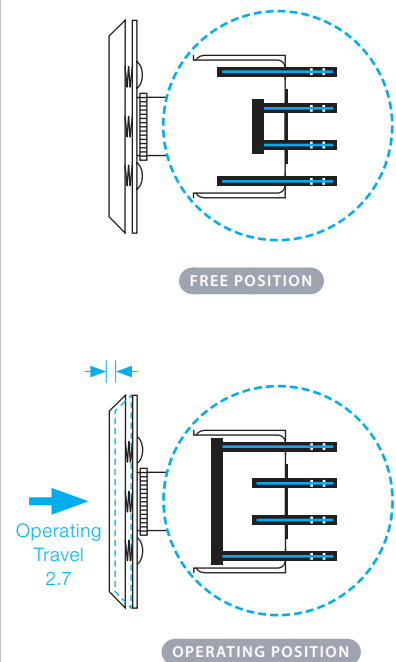
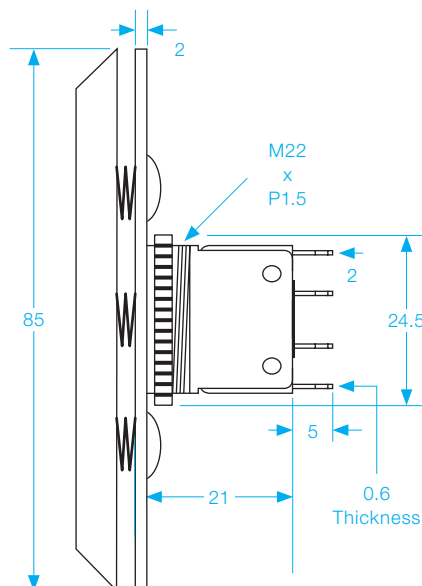
PBT-861BS-B

BLUE BUTTON



BUTTON ACTION

You can touch the push button on any part of the face to create the contact action.



SPECIFICATION

- Switch Rating: 5A/125Vac.
- Contact resistance: 50mΩ Max. (Initial).
- Operating travel: 2.7mm.
- Operating life (Mechanical): Over 100,000 times.