

One K2

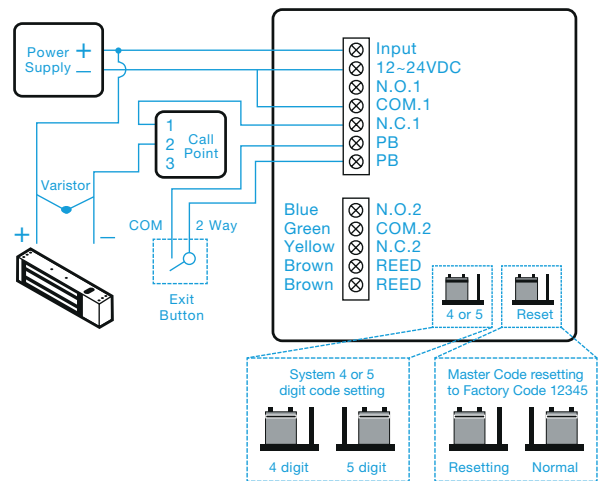
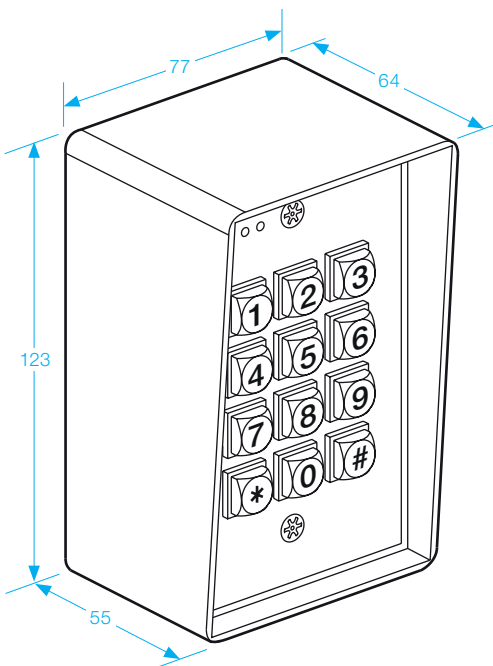
Single Door Access Kit



One Door, One Box, One Solution!

KIT CONTENTS

- 1 x DG-15LD digital keypad, 21 users
- 1 x 12Vdc, 1Amp boxed power supply
- 1 x U10001 magnetic lock
- 1 x U300ZL Z&L bracket
- 1 x DRB001N-PTE exit button
- 1 x CP21-N break-glass unit



ONE K2 SYSTEM

The door strike or relay must have a varistor or a diode across the door strike terminals to suppress the back EMF of the strike-failure to do so will damage the relay contacts and electronic components, or even burns the controller.

