

# One K1

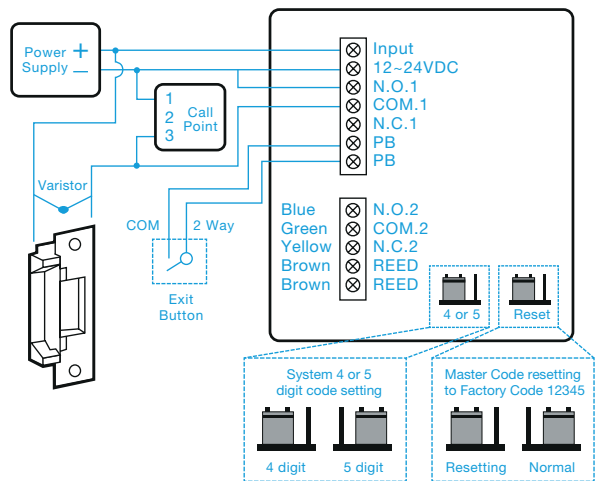
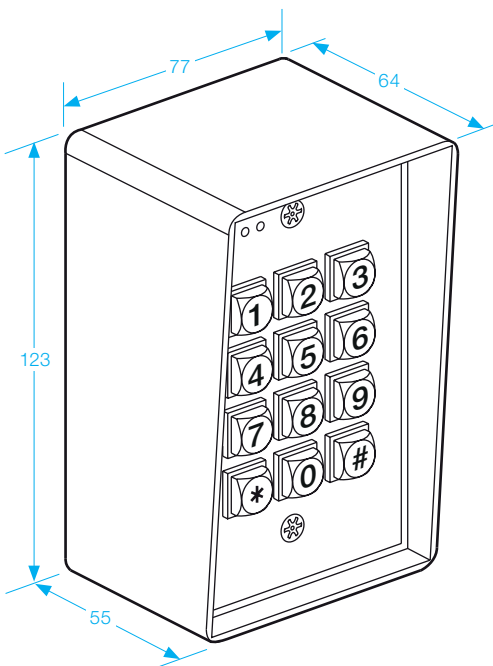
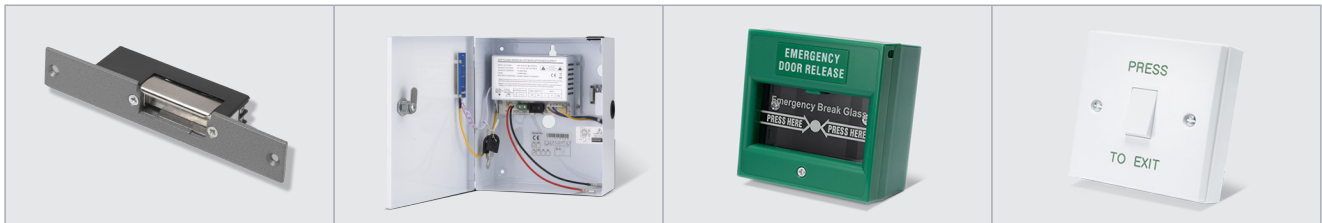
## Single Door Access Kit



*One Door, One Box, One Solution!*

**KIT CONTENTS**

- 1 x DG-15LD digital keypad, 21 users
- 1 x 12Vdc, 1Amp boxed power supply
- 1 x M1 lock, fail-secure electric release
- 1 x DRB001N-PTE exit button
- 1 x CP21-N break-glass unit



**ONE K1 SYSTEM**

The door strike or relay must have a varistor or a diode across the door strike terminals to suppress the back EMF of the strike-failure to do so will damage the relay contacts and electronic components, or even burns the controller.

