

ML350

Monitored Electric Lock

- Operating voltage 12Vdc
(24Vdc available to order)
- Stainless Steel
- Fail-safe
- Fire resistant
- 1500lbs holding force
- 500lbs side-load
- Monitored

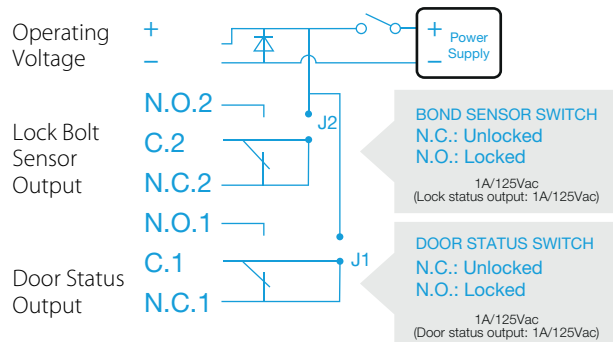
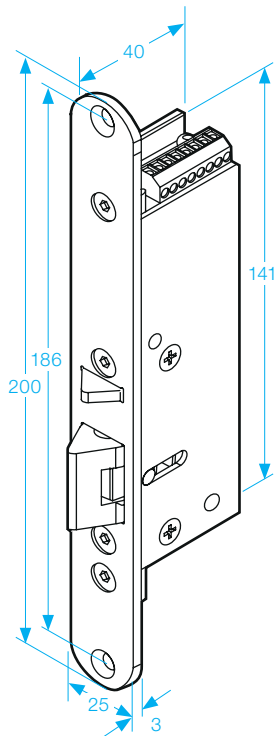


FIRE
RESISTANT



STAINLESS
STEEL

GEM[®]



SPECIFICATION

- Voltage tolerance: $\pm 10\%$.
- Current draw: 280mA at 12Vdc, 140mA at 24Vdc (at temperature 20°C).
- Operating temperature: -10~45°C (14 to 131°F).
- Lock's surface temperature: Current temperature $\pm 20\%$ (when power is on).
- Humidity: 0~95% non-condensing.
- Solenoids tested to 250,000 cycles.
- Weight: 673g (approx).