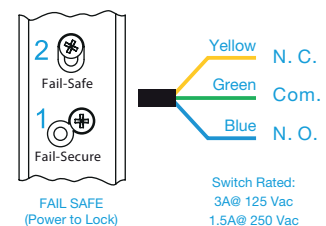
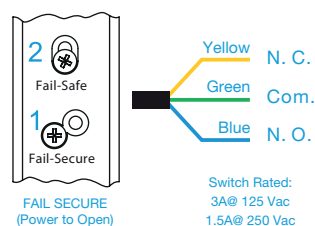
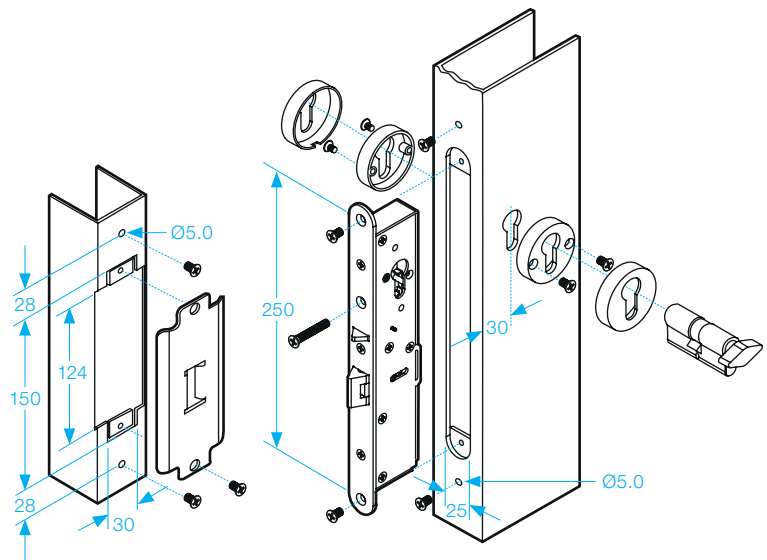
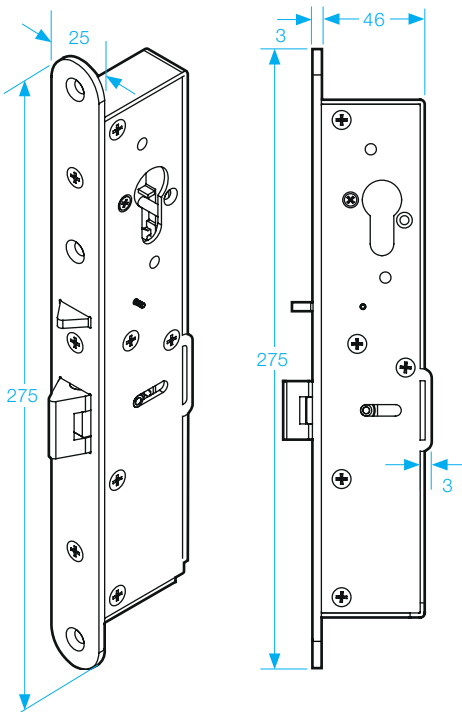


# ML300-SW

## Electric Lock

- Operating voltage 12~24Vdc  
(*Selectable*)
- Easily changeable control version
- Long life solenoids
- Fail-Safe/Fail-Secure (*Selectable*)
- For double swing door
- Bond sensor output
- Back-set 30mm
- Over-ride euro slot



### SPECIFICATION

- Voltage tolerance:  $\pm 10\%$ .
- Current draw: 210mA at 12Vdc, 150mA at 24Vdc (at temperature 20°C).
- Operating temperature: -10~45°C (14 to 131°F).

- Lock's surface temperature: Current temperature  $\pm 20\%$  (when power is on).
- Lock bolt sensor switch output (SPDT rated 3A at 125Vac).
- Humidity: 0~95% non-condensing.

- Only applicable to vertical installation.
- Solenoids tested to 1,000,000 cycles.
- Weight: 815g (approx).