

ER350-24

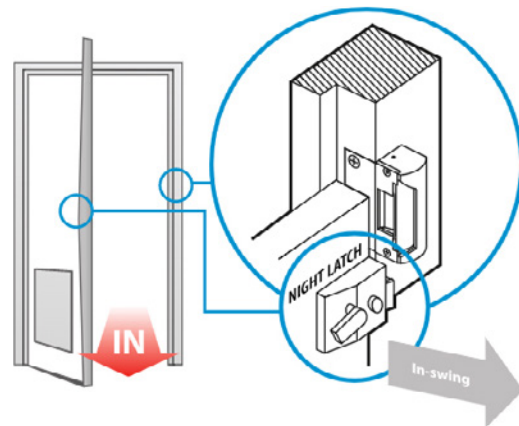
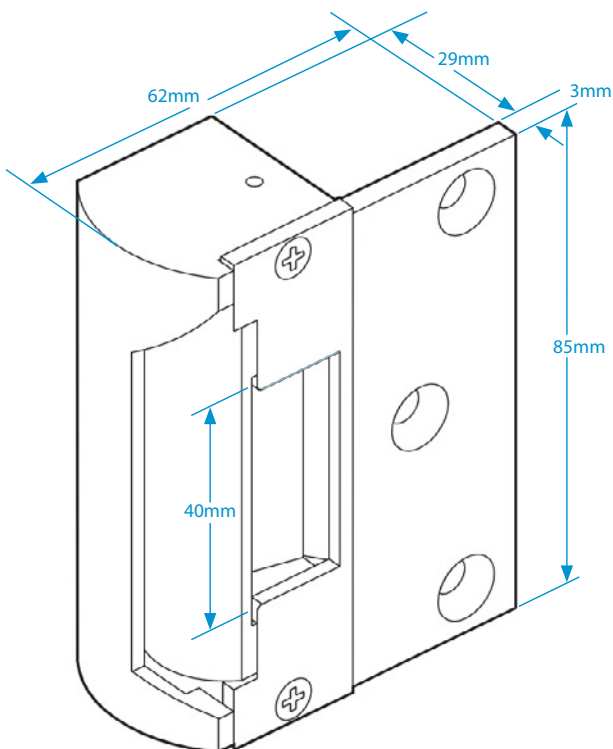
Electric Release

- Operating voltage 24Vdc
- Fail-Safe/Fail-Secure (*Selectable*)
- Rim mounted release

SPECIFICATION

- Voltage tolerance $\pm 15\%$.
- Current draw: 0.25A at 12Vdc, 0.15A at 24Vdc (*at temperature 20°C*)
- Operating temperature: $-10\sim 45^{\circ}\text{C}$ (*14 to 131°F*).
- Lock's surface temperature: Current temperature $\pm 20\%$ (*when power is on*).
- Humidity: 0~95% non-condensing.
- 2000lbs jaw strength pull testing.
- Tested to 1,000,000 cycles
- Weight: 380g (approx).

GEM[®]



FLEXIBLE SOLUTIONS

The GK350-24 electric strike can easily change between Fail-Safe and Fail-Secure modes. This unique design enables distributors to reduce inventory and still meet varying needs and requirements of end users.

