

# FR-U10020

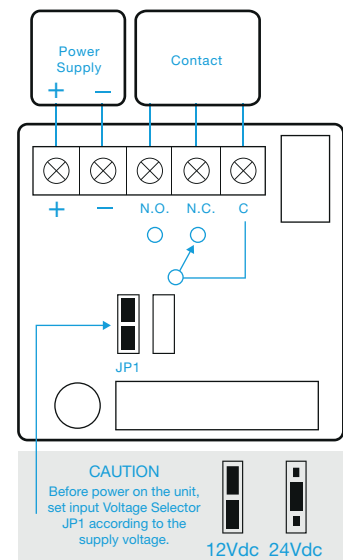
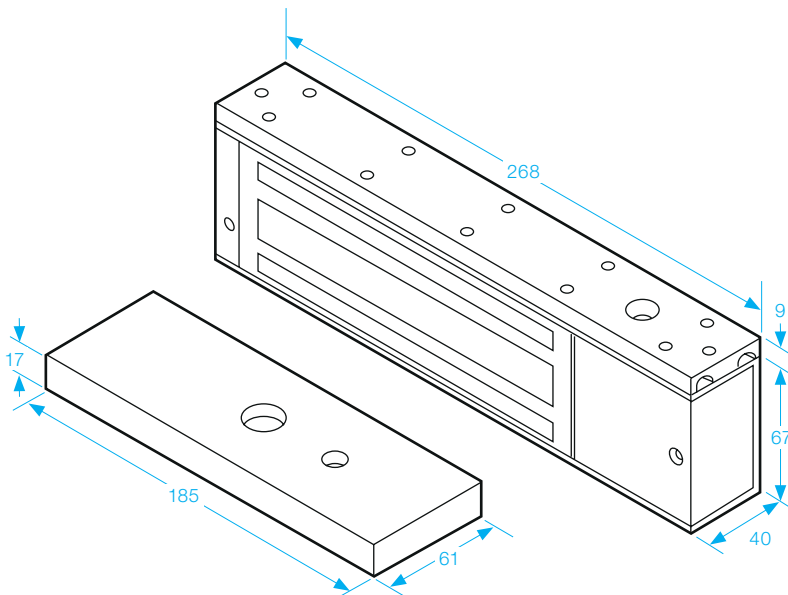
## Monitored Standard Magnet

- FD30 + FD60 Rated
- Operating voltage 12~24Vdc (*Selectable*)
- Aluminium housing
- Safety bolts fitted
- Holding force up to 1200lbs (*544Kg*)
- Electro-less nickel plated armature
- 1 Hour UK fire certificate
- Status LED ● Red ● Green



BS EN1634:1

### OPTIONS



### SPECIFICATION

- Voltage tolerance:  $\pm 10\%$ .
- Current draw: 420mA at 12Vdc, 210mA at 24Vdc (*at temperature 20°C*).
- Operating temperature:  $-10\sim 55^{\circ}\text{C}$  (*14 to 131°F*).
- Lock's surface temperature: Current temperature  $\pm 20\%$  (*when power is on*).
- Magnetic bond sensor monitor output remotely monitors the door lock or unlock status. (*N.C. Output-Door opened; N.O. Output-door closed*) (*SPDT rated 0.25A at 12Vdc*).
- Humidity: 0~95% non-condensing.
- Aluminium housing, nickel plated armature.
- Weight: 4.71kg (*approx.*).