

FR-U10004

Unmonitored Double Mini Magnet

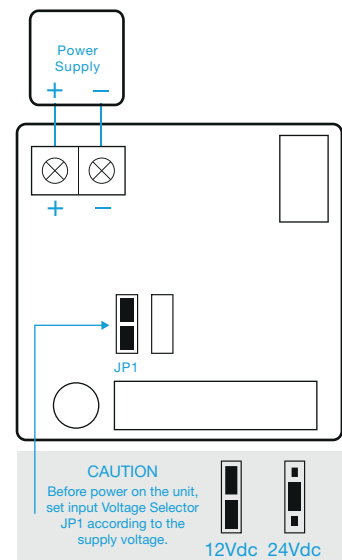
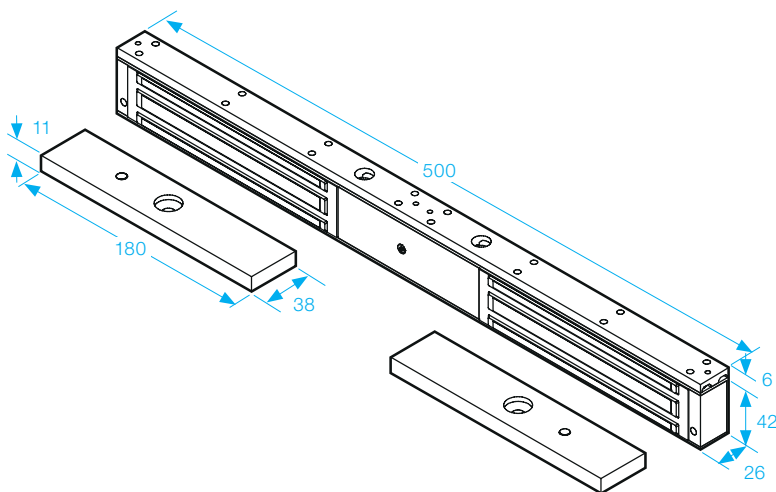


BS EN1634:1

- FD30 + FD60 Rated
- Operating voltage 12~24Vdc (*Selectable*)
- Aluminium housing
- Safety bolts fitted
- Holding force up to 2 x 600lbs (272Kg)
- Electro-less nickel plated armature
- Fail-Safe
- 1 Hour UK fire certificate



OPTIONS



SPECIFICATION

- Voltage tolerance: $\pm 10\%$.
- Current draw: 480mA at 12Vdc, 240mA at 24Vdc (at temperature 20°C).
- Operating temperature: -10~55°C (14 to 131°F).
- Lock's surface temperature: Current temperature $\pm 20\%$ (when power is on).

- Humidity: 0~95% non-condensing.
- Aluminium housing, nickel plated armature.
- Weight: 3.7kg (approx).