

# FR-ML350

## Monitored Electric Lock

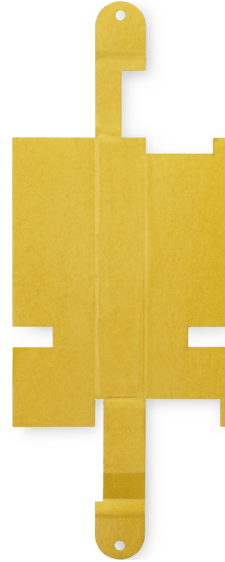
- FD30 + FD60 Rating
- Operating voltage 12Vdc (24Vdc available to order)
- Stainless Steel
- Fail-safe
- 1500lbs holding force
- 500lbs side-load
- 1 Hour UK fire certificate



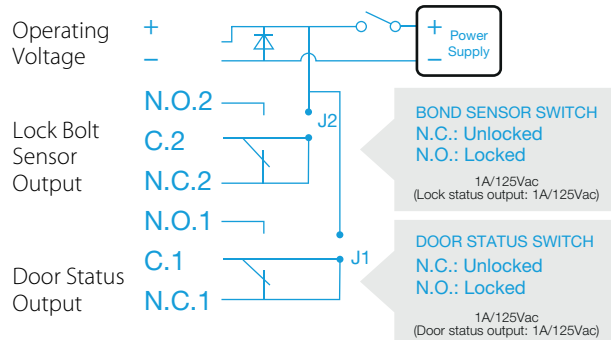
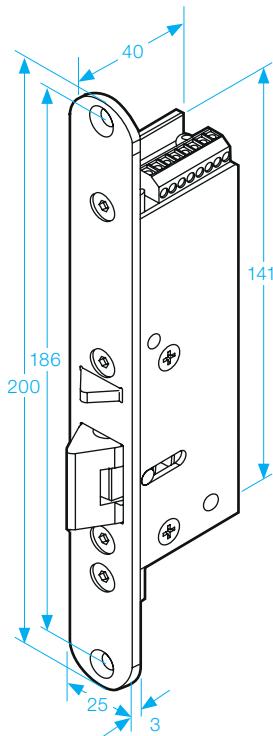
BS EN1634:1



STAINLESS STEEL



500 LBS  
SIDELOAD



### SPECIFICATION

- Voltage tolerance:  $\pm 10\%$ .
- Current draw: 280mA at 12Vdc, 140mA at 24Vdc (at temperature 20°C).

- Operating temperature: -10~45°C (14 to 131°F).
- Lock's surface temperature: Current temperature  $\pm 20\%$  (when power is on).

- Humidity: 0~95% non-condensing.
- Solenoids tested to 250,000 cycles.
- Weight: 673g (approx).