

FR-GK231M-L LEFT HAND

FR-GK231M-R RIGHT HAND

Monitored Electric Release

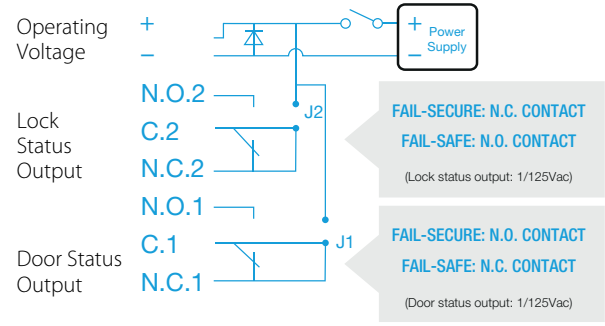
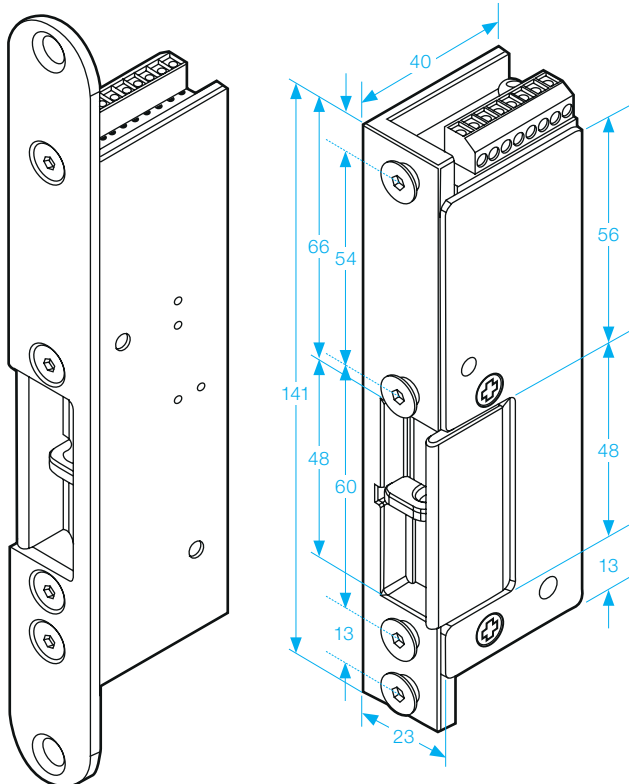
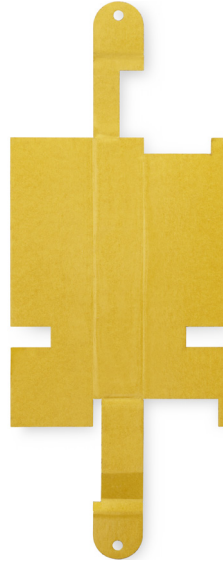
- FD30 + FD60 Rating
- Operating voltage 12Vdc (24Vdc available to order)
- Stainless Steel
- Fail-Safe
- 1500lbs holding force
- 500lbs side-load
- 1 Hour UK fire certificate



BS EN1634:1



STAINLESS STEEL



SPECIFICATION

- Voltage tolerance: $\pm 20\%$.
- Current draw: 280mA at 12Vdc, 140mA at 24Vdc (at temperature 20°C).
- Operating temperature: -10~45°C (14 to 131°F).
- Lock's surface temperature: Current temperature $\pm 20\%$ (when power is on).
- Humidity: 0~95% non-condensing.
- Life rating of solenoid valve: 250,000 cycles.
- Keeper width: 48mm.
- Latch throw: 15mm.
- Material: Stainless Steel.
- 1500lbs jaw strength pull testing.
- Weight: 673g