

FR-GD650S-12 12 VDC

FR-GD650S-24 24 VDC

Door Retaining Magnet

- FD30 + FD60 Rating
- Stainless Steel
- Electrically tested: BS EN1155
- Operating voltage 12 or 24Vdc
- Up to 70lbs (32kg) holding force
- Over-ride switch
- Flush mount
- 1 Hour UK fire certificate



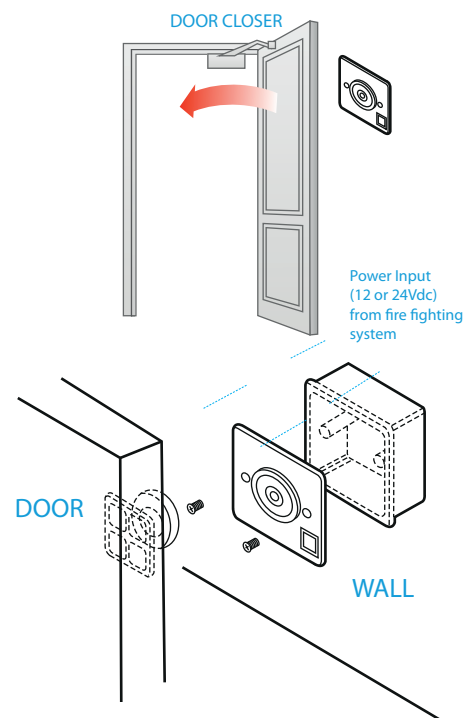
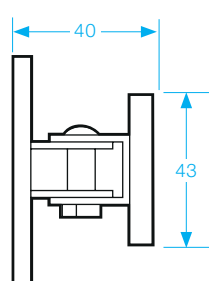
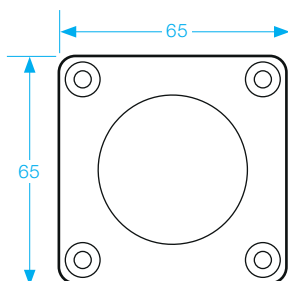
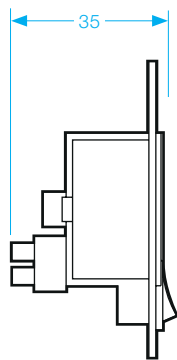
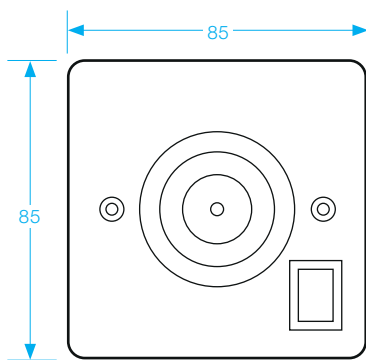
STAINLESS
STEEL



BS EN1634:1



BS EN1155



SPECIFICATION

- Voltage tolerance: $\pm 15\%$.
- Current draw: 150mA at 12Vdc, 70mA at 24Vdc (at temperature 20°C).
- Operating temperature: -10~45°C (14 to 131°F).
- Humidity: 0~95% non-condensing.
- Weight: 380g (approx).