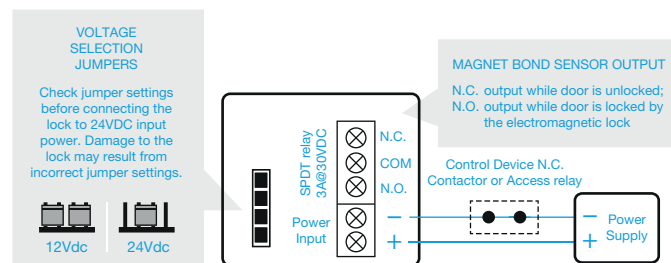
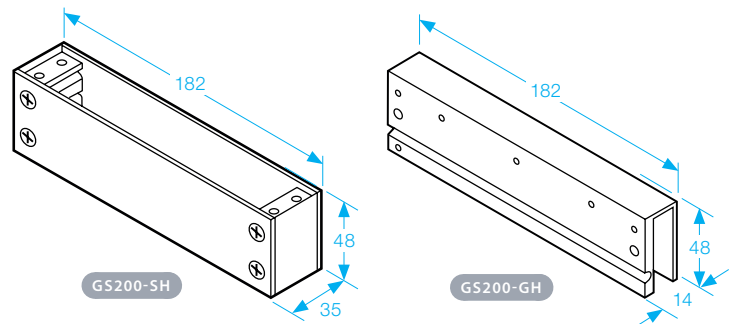
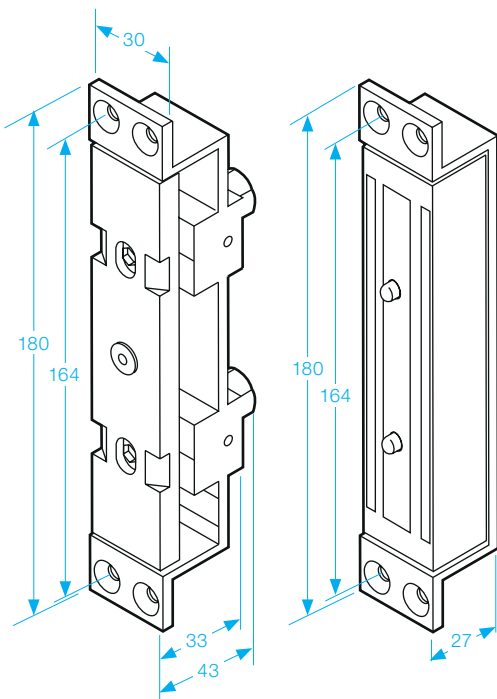
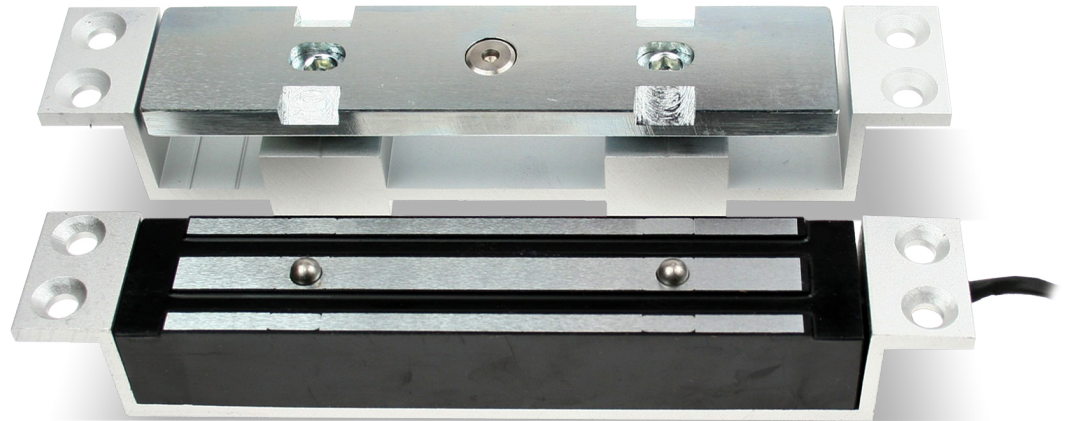


GS200 UNMONITORED**GS200M** MONITORED**Shear Magnet**

- Operating voltage 12~24Vdc
- Holding force up to 1500lbs (680Kg) in shear

**SPECIFICATION**

- Voltage tolerance: $\pm 10\%$.
- Current draw: 500mA at 12Vdc, 250mA at 24Vdc (at temperature 20°C).
- Operating temperature: -30~55°C (-22 to 131°F).
- Lock's surface temperature: Current temperature $\pm 20\%$ (when power is on).
- Magnetic bond sensor monitor output remotely monitors the door lock or unlock status. (N.C. Output-Door opened; N.O. Output-door closed) (GS-200M) (SPDT rated 3A at 30Vdc).
- Humidity: 0~95% non-condensing.
- Special Zinc finish for magnet and armature plate.
- Weight: 2.0kg (approx).