

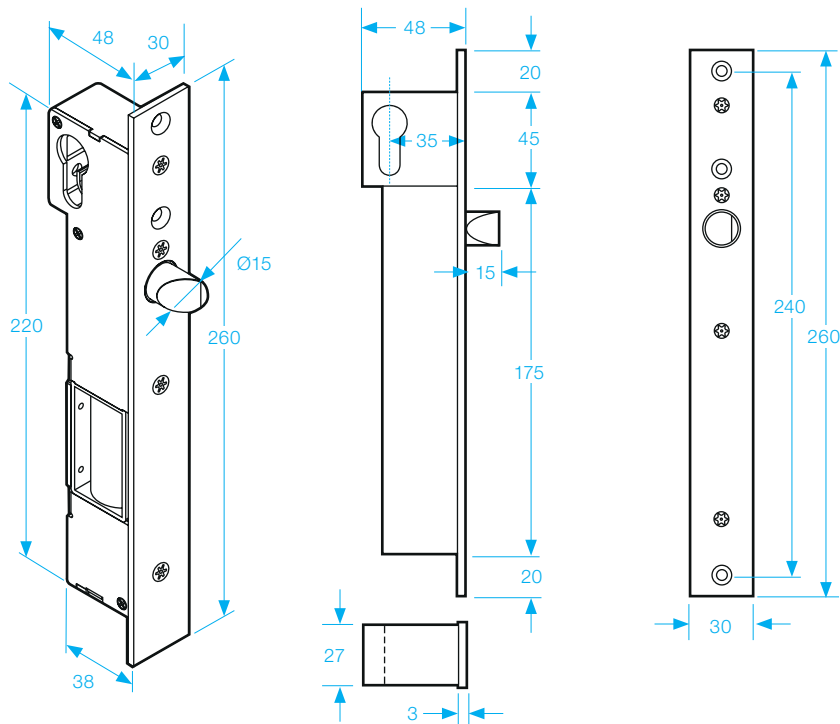
# EB261

## Electric Dropbolt

- Operating voltage 12~24Vac/Vdc  
(Self-regulating)
- Stainless Steel
- Reversible bevel latch-bolt  
(Resolves positional problems)
- Fail-Secure (Power to Unlock)
- Auto-relocking timer delay:  
0, 3, 6 or 9 seconds
- Euro profile key override



STAINLESS  
STEEL



### SPECIFICATION

- Voltage tolerance:  $\pm 10\%$ .
- Current draw: 1A at 12Vdc  
(at temperature 20°C).
- Operating temperature: -10~45°C  
(14 to 131°F).
- Lock's surface temperature: Current temperature  $\pm 20\%$  (when power is on).
- Tested to 500,000 cycles.
- Humidity: 0~95% non-condensing.
- Horizontal or vertical installation.
- Face plate material: Stainless Steel.
- Weight: 894g (approx).