

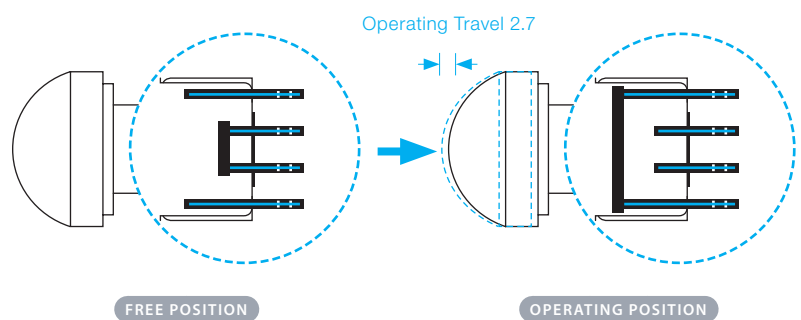
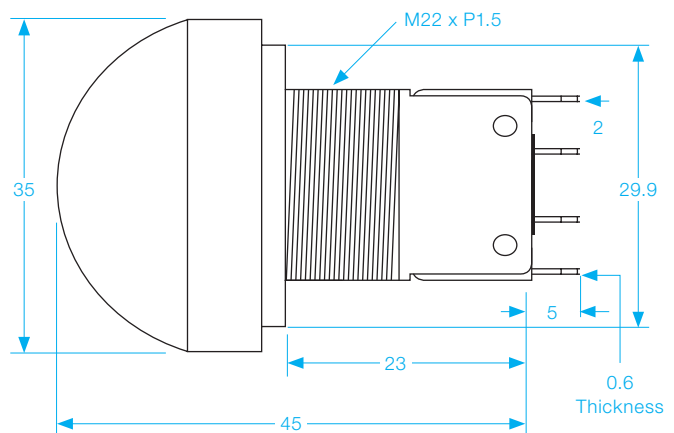
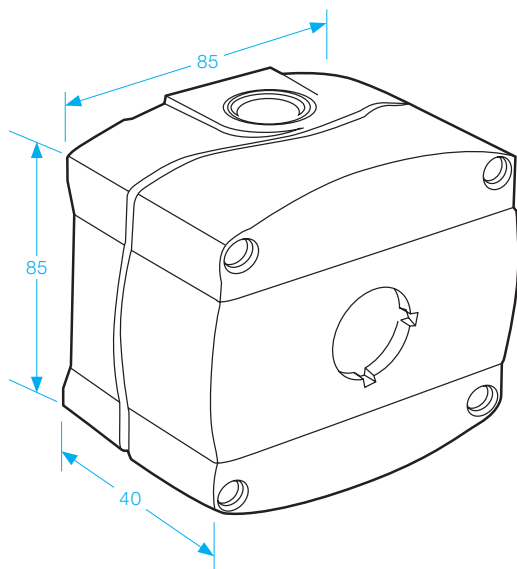
DRB014S-PTE

Exit Button

- ABS Plastic
- Legend: Press to Exit
- **ITW** Green dome button
- Surface mount
- Weather resistant: IP65
- COM-N/O
COM-N/C



WEATHER
RESISTANT
- IP 65 -



SPECIFICATION

- Max. Rating: 5A/125/250 Vac.
- Contact resistance: 50mΩ Max. (Initial)
- Operating travel: 2.7mm.
- Operating life (Mechanical): Over 100,000 times.
- Cables included.