

DRB004S Series

Exit Button

- Brushed Stainless Steel
- **ITW** Green dome button
- Surface mount
- **FREE:** Add your company logo
- COM-N/O
COM-N/C

DRB004S-PTE

PRESS TO EXIT



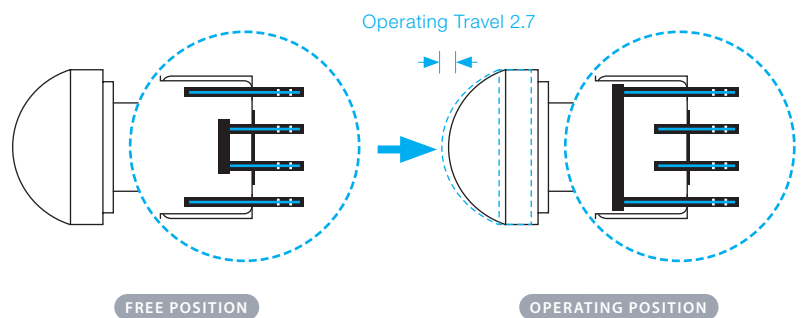
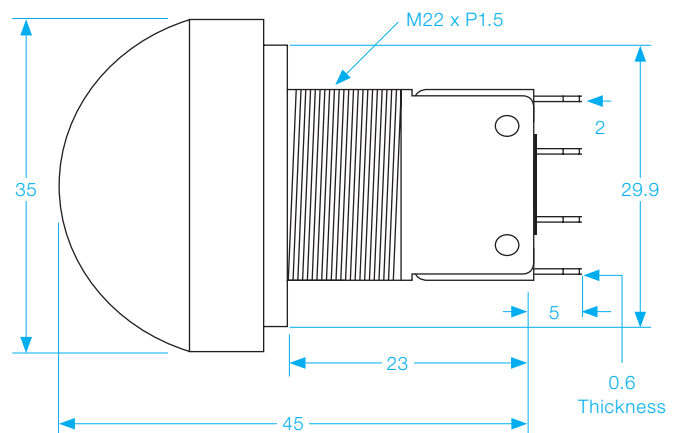
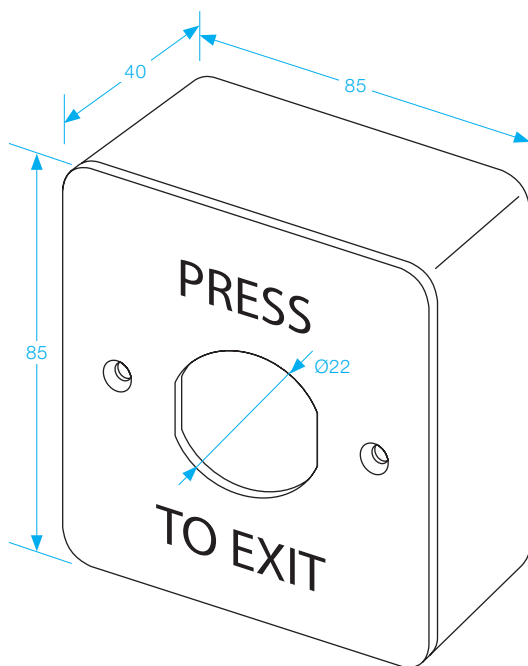
DRB004S-DR

DOOR RELEASE



DRB004S-PTE-WP

PRESS TO EXIT



SPECIFICATION

- Max. Rating: 5A/125/250 Vac.
- Contact resistance: 50mΩ Max. (Initial)
- Operating travel: 2.7mm.
- Operating life (Mechanical): Over 100,000 times.
- Cables included.