

DRB002NF-B-PTE

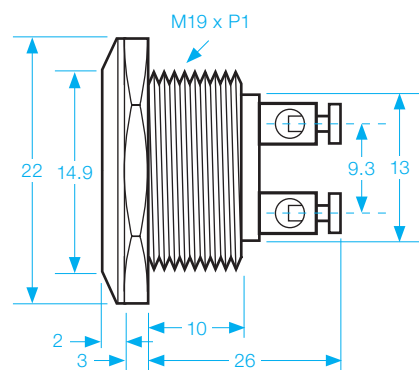
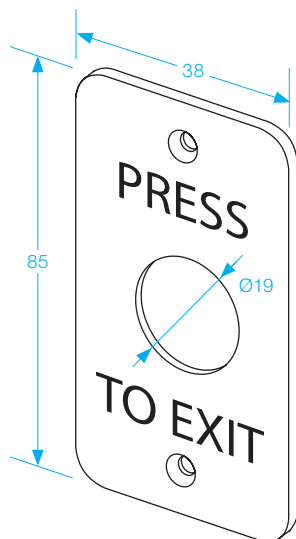
PRESS TO EXIT

DRB002NF-B-DR

DOOR RELEASE

Exit Button

- Stainless Steel
- Brushed Brass finish
- 19mm Brushed Brass button
- Flush mount
- Narrow style
- COM-N/O



SPECIFICATION

- Momentary: (N.O.)
- Max. Rating: 5A/125/250 Vac.
- Contact resistance: 50m Ω Max. (Initial).
- Operating life (Mechanical): Over 100,000 times.
- Operating travel: 2.7mm.