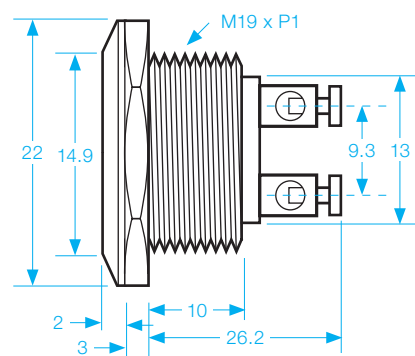
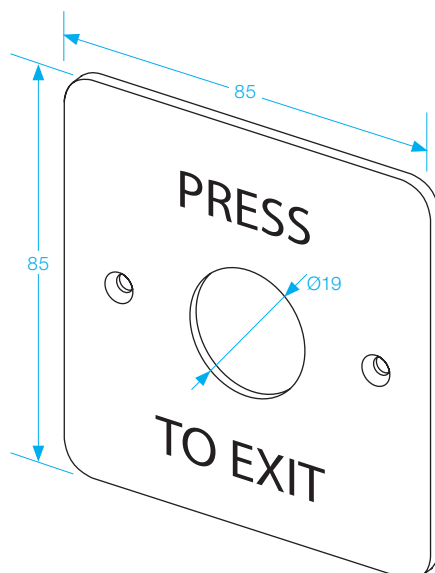
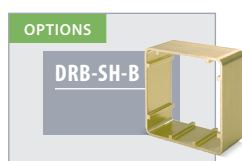


DRB002F-PTE-B

PRESS TO EXIT

Exit Button

- Brushed Brass
- 19mm Brushed Brass button
- Flush mount
- COM-N/O



SPECIFICATION

- Momentary: (N.O.)
- Max. Rating: 5A/125/250 Vac.
- Contact resistance: 50m Ω Max. (Initial).
- Operating life (Mechanical): Over 100,000 times.
- Operating travel: 2.7mm.