

DRB-Euro

Exit Button

- Operating voltage 12-24Vdc
- Legend: Press to Open
- Silver finish ABS plastic surround
- Metal button
- Surface mount
- Momentary
- COM / NO / NC / Change-over-contacts
- LED Illumination: ● Red and ● Green

H	W	D
85	85	26

DRB-Euro-Silver

SILVER BUTTON

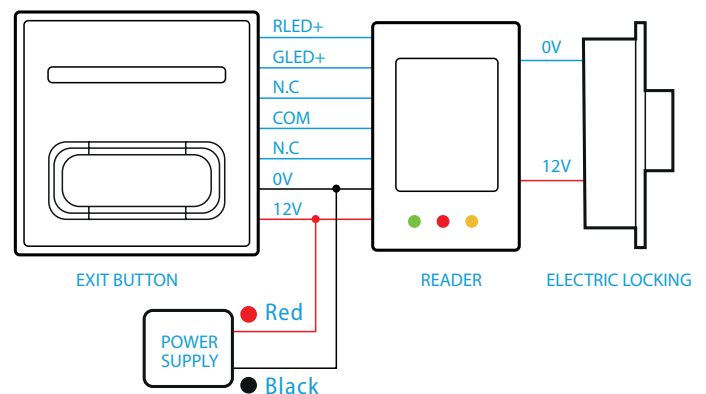
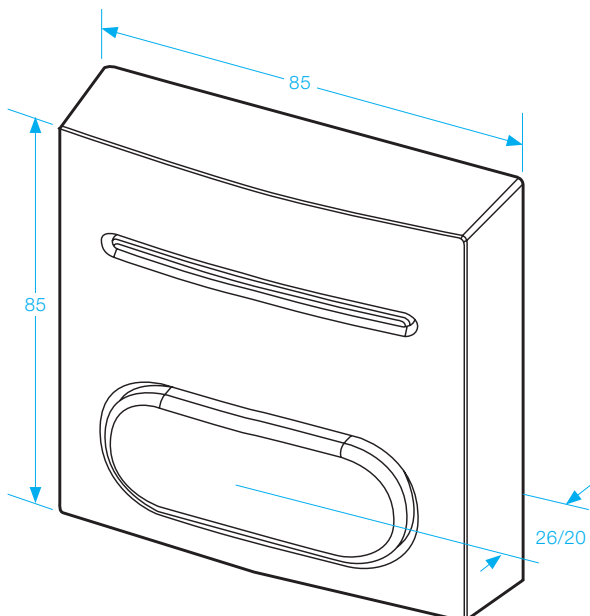
DRB-Euro-White

WHITE BUTTON



DRB-Euro-Wood

WOOD FINISH BUTTON



SPECIFICATION

- Max. Rating: 5mA/12Vdc.
- Contact resistance: 1kΩ Max. (Initial).
- Operating travel: 1.75mm.
- Operating life (5mA 5Vdc): Over 100,000 times.