

# A10005

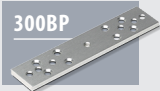
## Monitored Double Mini Magnet

- Operating voltage 12~24Vdc (*Selectable*)
- Aluminium housing
- Holding force up to 2 x 600lbs (*272Kg*)
- Electro-less Nickel Plated Armature
- Status LED ● Red ● Green



### OPTIONS

300BP



U320M



A300ZL



300ZLDC



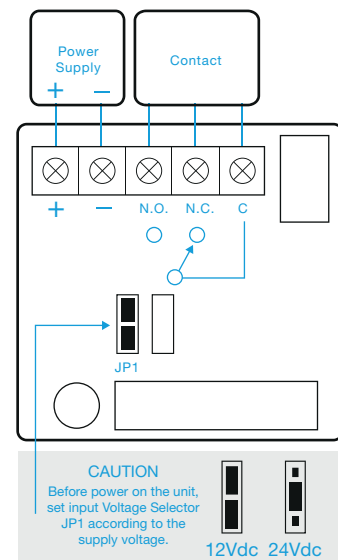
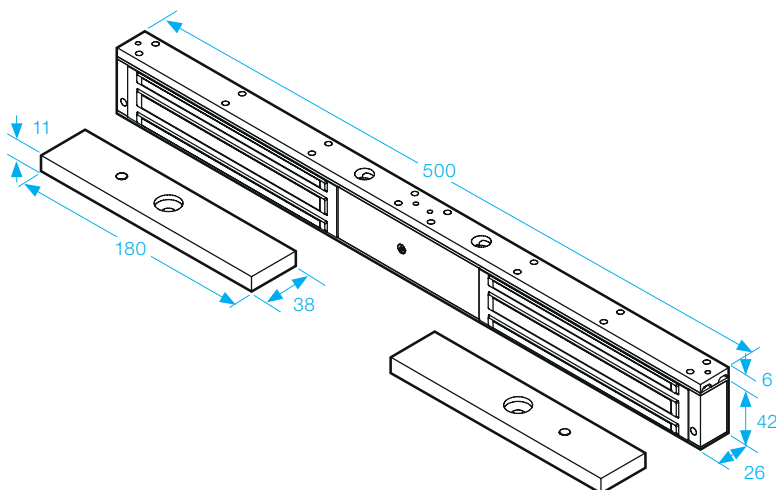
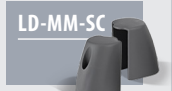
U300AL



UGDB14



LD-MM-SC



### SPECIFICATION

- Voltage tolerance:  $\pm 10\%$ .
- Current draw: 480mA at 12Vdc, 240mA at 24Vdc (at temperature 20°C).
- Operating temperature: -10~55°C (14 to 131°F).
- Lock's surface temperature: Current temperature  $\pm 20\%$  (when power is on).
- Humidity: 0~95% non-condensing.
- Weight: 3.7kg (approx).
- Magnetic bond sensor monitor output remotely monitors the door lock or unlock status. (N.C. Output-Door opened; N.O. Output-door closed) (SPDT rated 0.25A at 12Vdc).