



10060

Unmonitored Double Standard Magnet

- Operating voltage 12~24Vdc
- Aluminium
- Fail-Safe (*Power to Lock*)
- Holding force up to 1200lbs x 2 (545Kg x 2)
- Surface mount



OPTIONS

500BP



520S



500Z1



500ZLDC



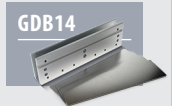
500AL



500CL



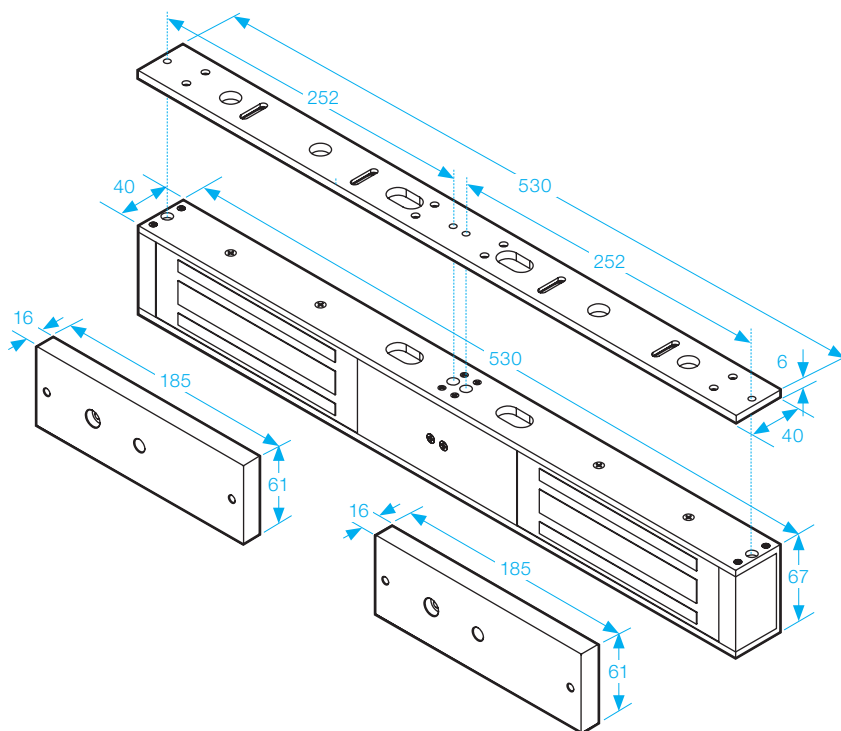
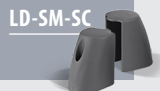
GDB14



10EXTP

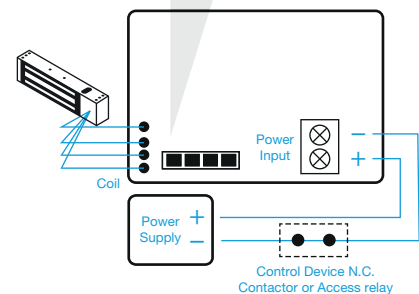


LD-SM-SC



VOLTAGE SELECTION JUMPERS

Check jumper settings before connecting the lock to 24VDC input power. Damage to the lock may result from incorrect jumper settings.



SPECIFICATION

- Voltage tolerance: $\pm 15\%$.
- Current draw: 500mA at 12Vdc, 250mA at 24Vdc (at temperature 20°C).
- Operating temperature: -10~55°C (14 to 131°F).
- Lock's surface temperature: Current temperature $\pm 20\%$ (when power is on).
- Humidity: 0~95% non-condensing.
- Special Zinc finish for magnet and armature plate.
- Weight: 8.0kg (approx).