



10006S

Midi Stainless Steel Magnet

- Operating voltage 12Vdc
- Stainless steel housing
- Weather resistant - IP65
- Vandal resistant
- Holding force up to 800lbs (363Kg)



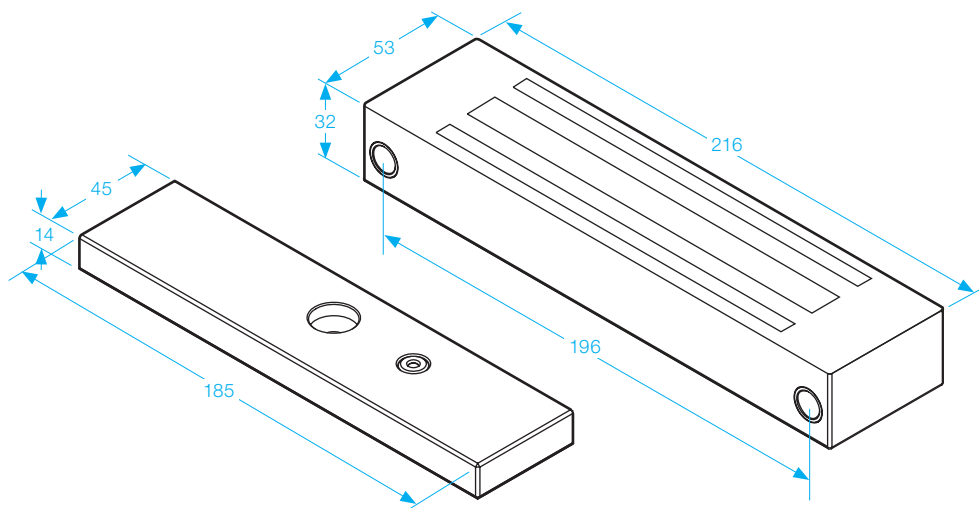
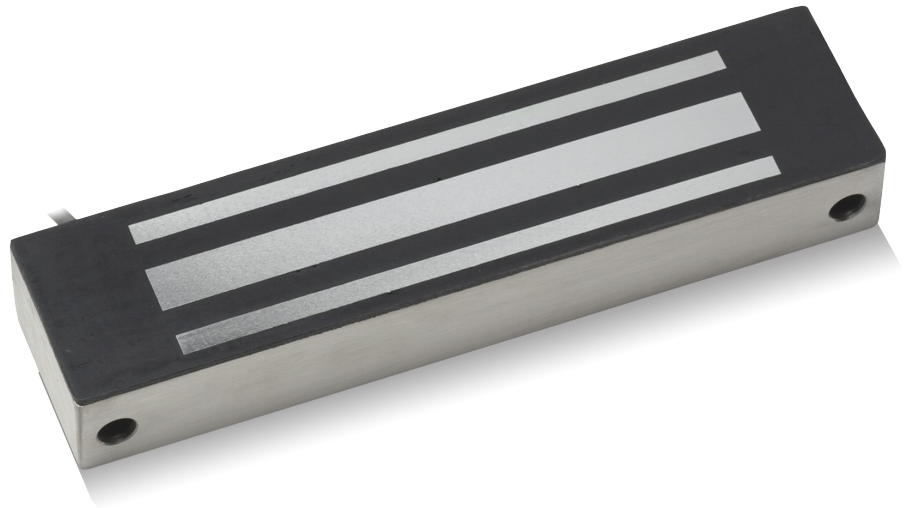
WEATHER
RESISTANT
- IP 65 -



VANDAL
RESISTANT



STAINLESS
STEEL



WATERPROOF PROPERTIES

This series of waterproof magnetic locks are sealed with an epoxy potting compound (E87252 (S), UL94V-0) and is protected by this compound. They are proved to withstand a water resistance as established in test procedures of IP 65.



SPECIFICATION

- Voltage tolerance: $\pm 15\%$.
- Current draw: 340mA at 12Vdc, 250mA (at temperature 20°C).
- Operating temperature: -10~55°C (14 to 131°F).
- Lock's surface temperature: Current temperature $\pm 20\%$ (when power is on).
- Magnetic bond sensor monitor output remotely monitors the door lock or unlock status. (N.C. Output-Door opened; N.O. Output-door closed) (SPDT rated 0.25A at 12Vdc).
- Humidity: 0~95% non-condensing.
- Special Zinc finish for magnet and armature plate.
- Weight: 3.0kg (approx).