



# 10003M

## Micro Mortice Magnet

- Operating voltage 12Vdc
- Fail-Safe (*Power-to-Lock*)
- Vandal resistant
- Weather resistant - IP65
- Holding force up to 300lbs (136Kg)



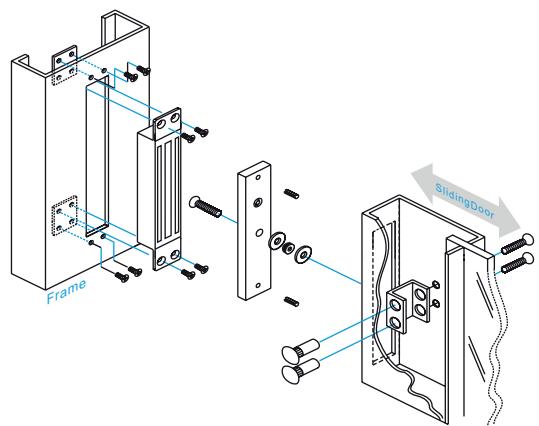
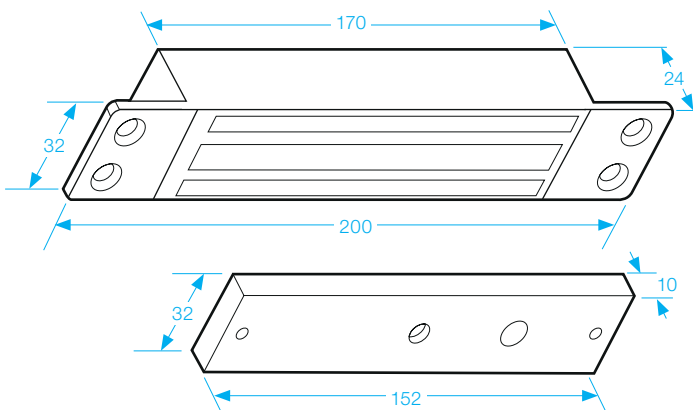
WEATHER  
RESISTANT  
– IP 65 –



VANDAL  
RESISTANT



STAINLESS  
STEEL



### SPECIFICATION

- Voltage tolerance:  $\pm 15\%$ .
- Current draw: 300mA at 12Vdc (at temperature 20°C).
- Operating temperature: -10~55°C (14 to 131°F).
- Lock's surface temperature: Current temperature  $\pm 20\%$  (when power is on).
- Humidity: 0~95% non-condensing.
- Special Zinc finish for magnet and armature plate.
- Weight: 1.5kg (approx).