



10000ST

Mortice Magnet

- Operating voltage 12~24Vdc
- Stainless Steel
- Fail-Safe (*Power-to-Lock*)
- Weather resistant - IP 65
- Vandal resistant
- Holding force up to 600lbs (272Kg)



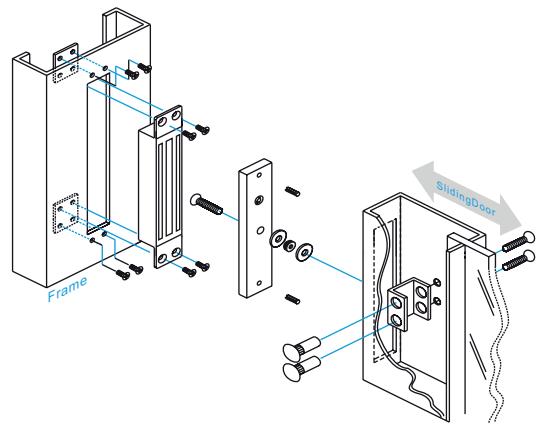
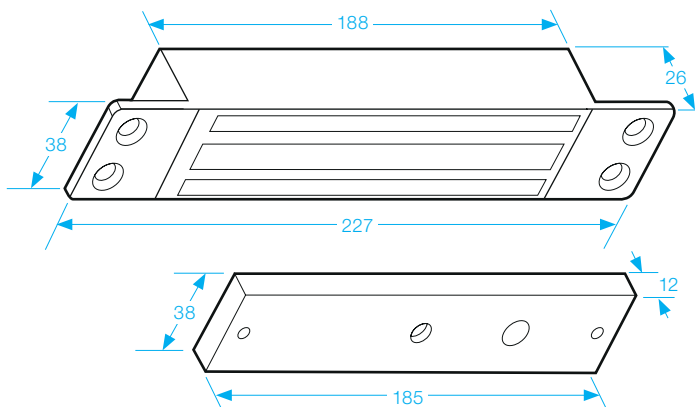
WEATHER
RESISTANT
– IP 65 –



VANDAL
RESISTANT



STAINLESS
STEEL



SPECIFICATION

- Voltage tolerance: $\pm 15\%$.
- Current draw: 300mA at 12Vdc (at temperature 20°C).
- Operating temperature: -10~55°C (14 to 131°F).
- Lock's surface temperature: Current temperature $\pm 20\%$ (when power is on).
- Humidity: 0~95% non-condensing.
- Special Zinc finish for magnet and armature plate.
- Weight: 1.5kg (approx).