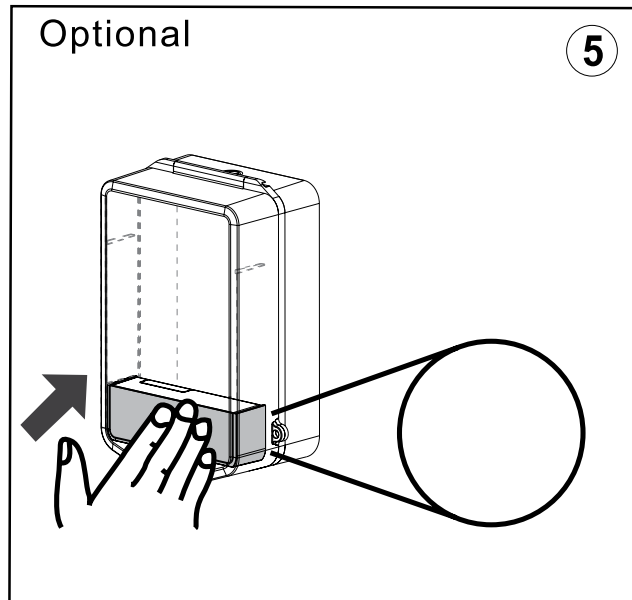
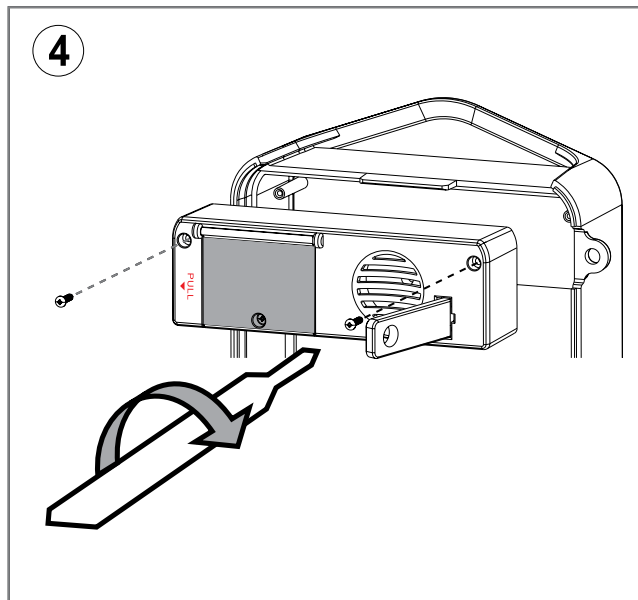
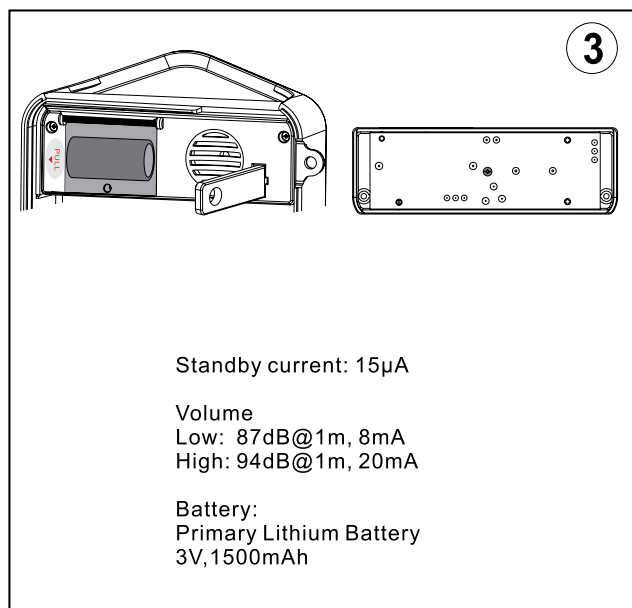
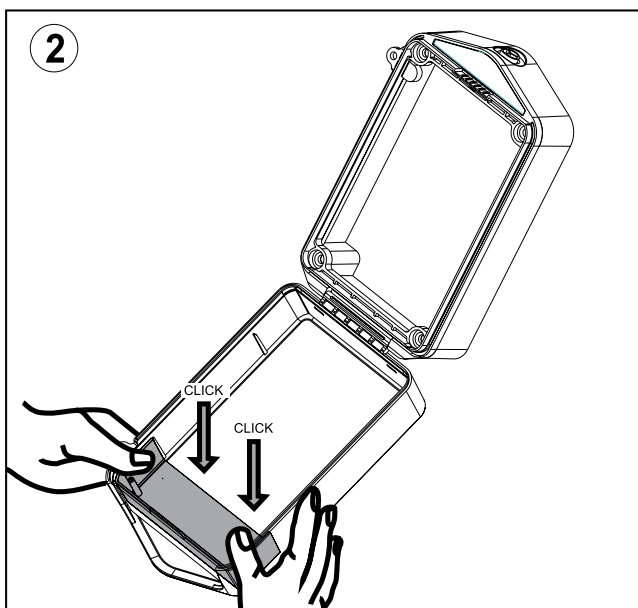
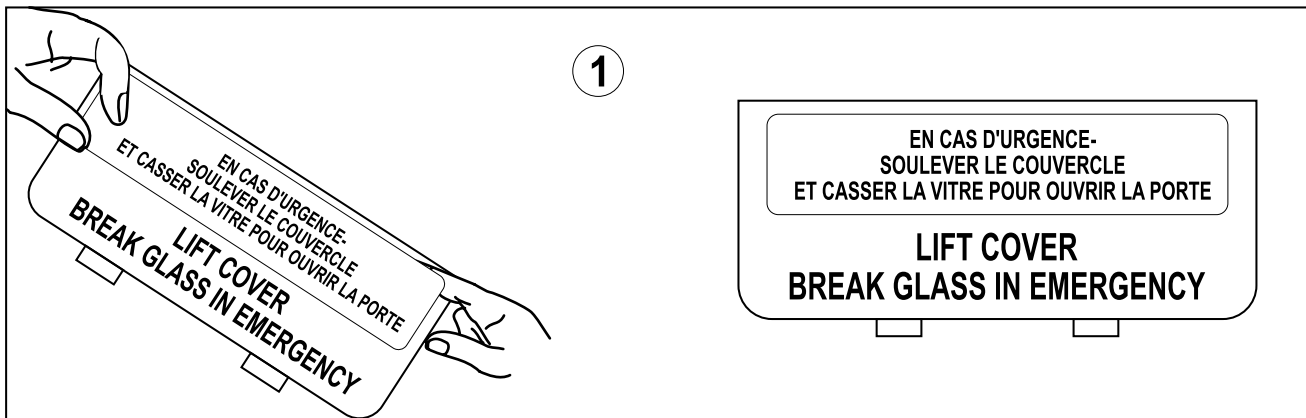
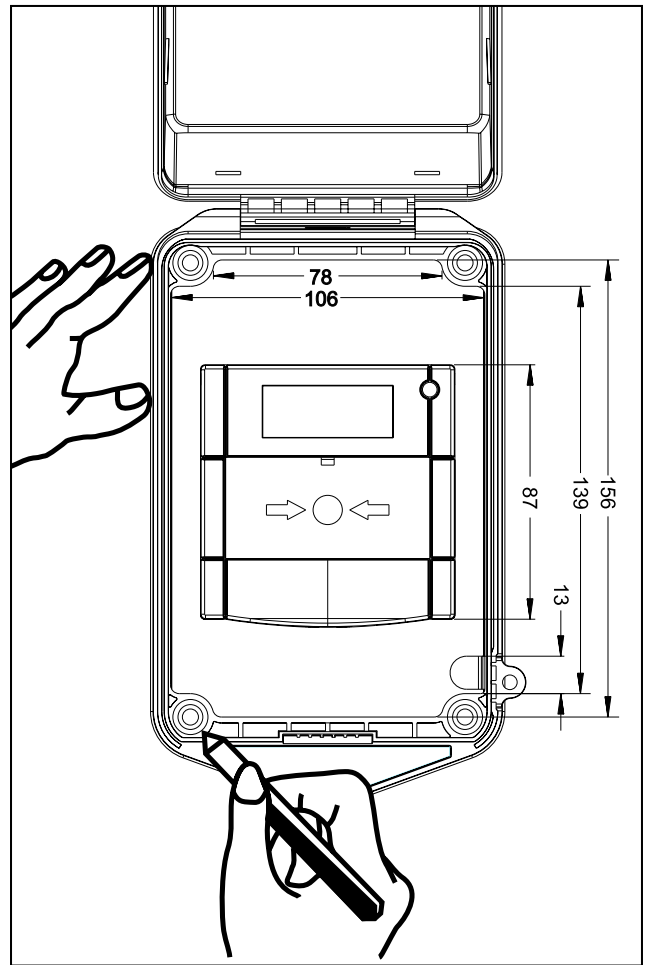
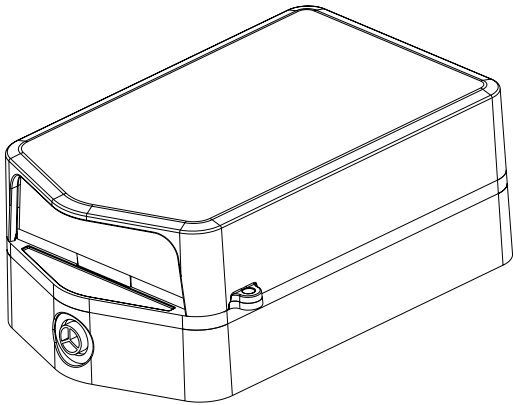


Call Point Protector

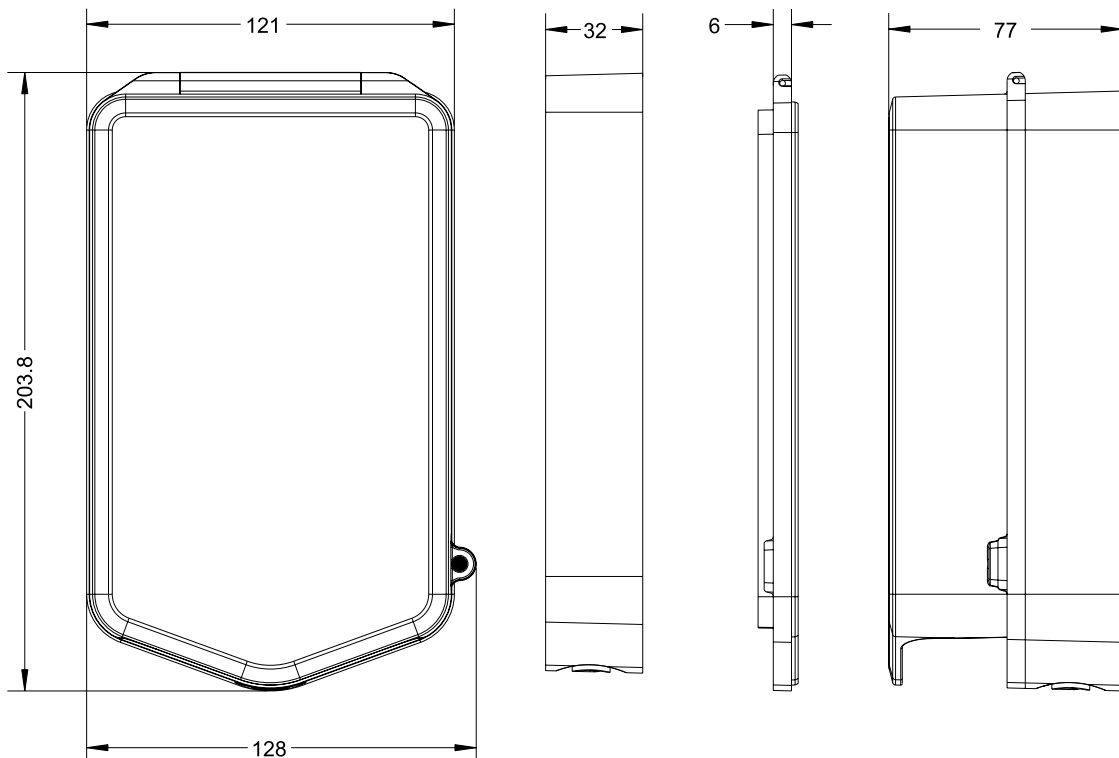
installation Guide

The Call Point Protector is a sleek protective cover that provides alarm & protection from false activation, vandalism, accidental damage or misuse. Universal protector for different brands of manual call point



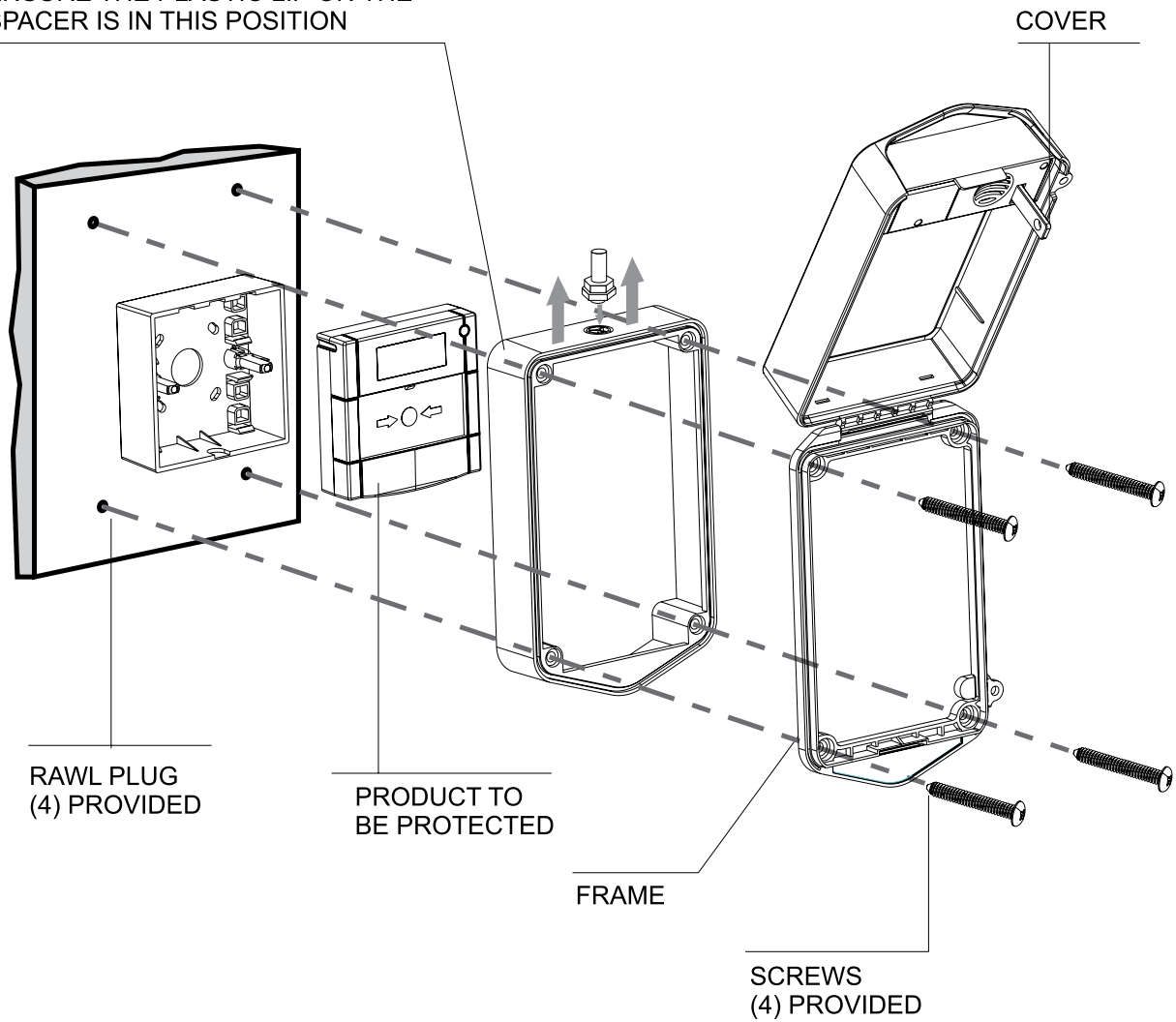


Dimensions



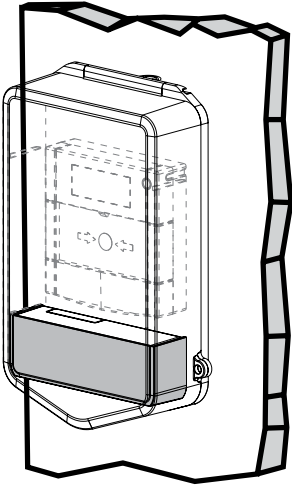
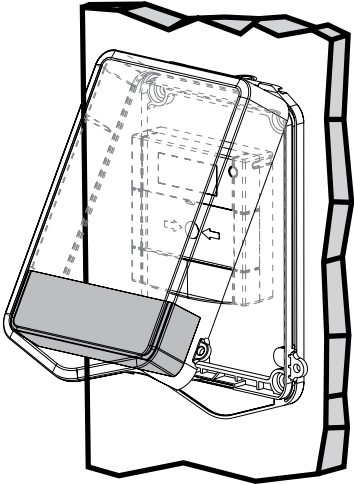
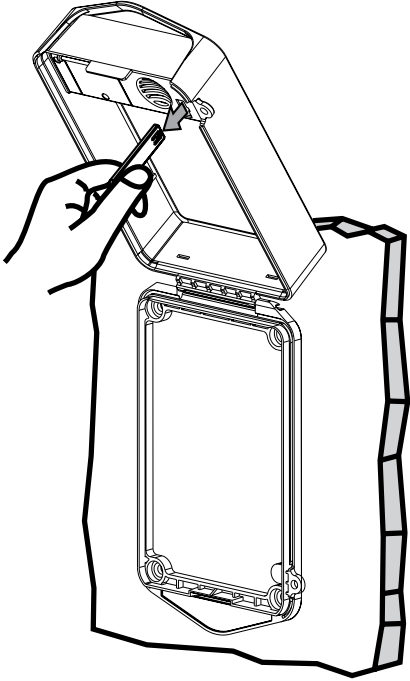
Accessories

NOTE: FOR SURFACE INSTALLATIONS ENSURE THE PLASTIC LIP ON THE SPACER IS IN THIS POSITION



| Accessories | | | |
|--------------------|---|---------------------|---|
| 1. Smart Protector | 1 | 5. Deactivation key | 1 |
| 2. Spacer Frame | 1 | 6. Rawl Plug | 4 |
| 3. Green Shell | 1 | 7. Lock Seal | 1 |
| Red shell | 1 | 8. PCB Box | 1 |
| 4. Screws: PA2*6mm | 2 | 9. Weather Gasket | 1 |
| PA2.6*10mm | 2 | 10. Battery | 1 |
| KA5*80mm | 4 | | |
| KA5*45mm | 4 | | |

Flush mounting



Surface mounting

