

# SDGi

## Sliding Adjustable L Brackets

- Anodised Aluminium
- Allows infinite adjustment and positioning backwards, forwards and angled
- Very easy to fit and drastically reduces the installation time.
- Simple to adjust magnet position - even after commission
- No fixings required into the underside of the transom
- Incorporates a cavity and cut out to make cabling easier and more secure
- Comes completely assembled
- Anti-tilt

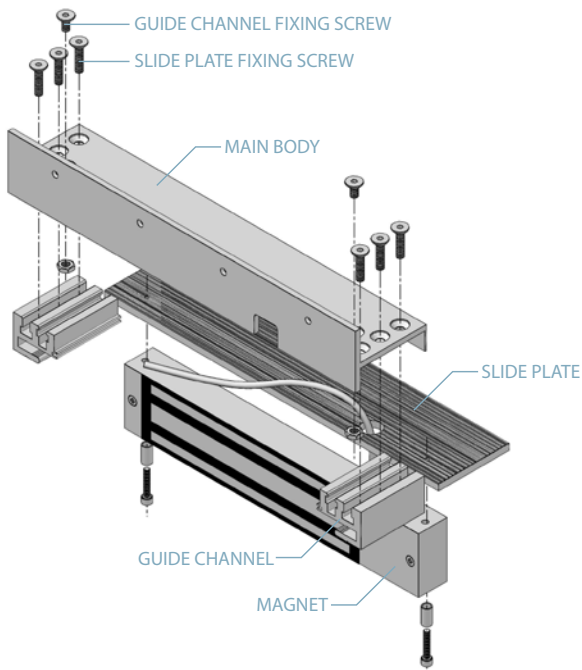
### ORDER CODES

SDGi-M For Slimline Magnetic Locks

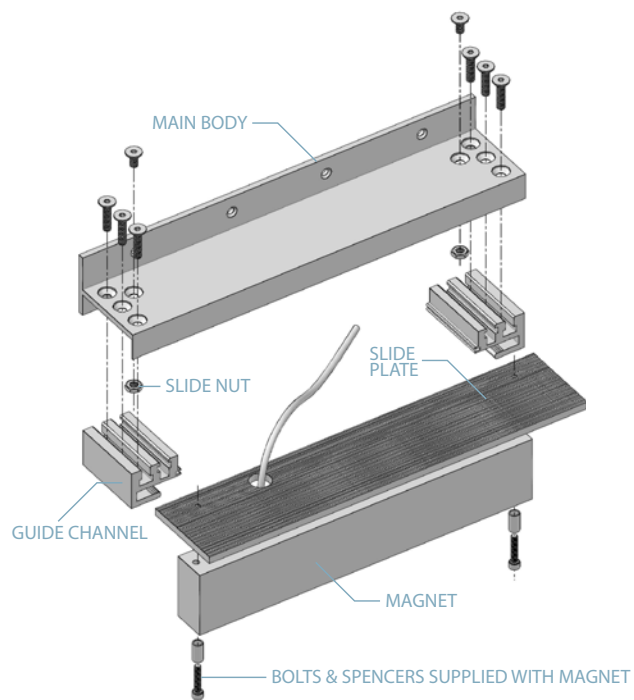
SDGi-S For Standard Magnetic Locks



### EXTERNAL ELEVATION



### INTERNAL ELEVATION



### INSTALLATION DIAGRAM

