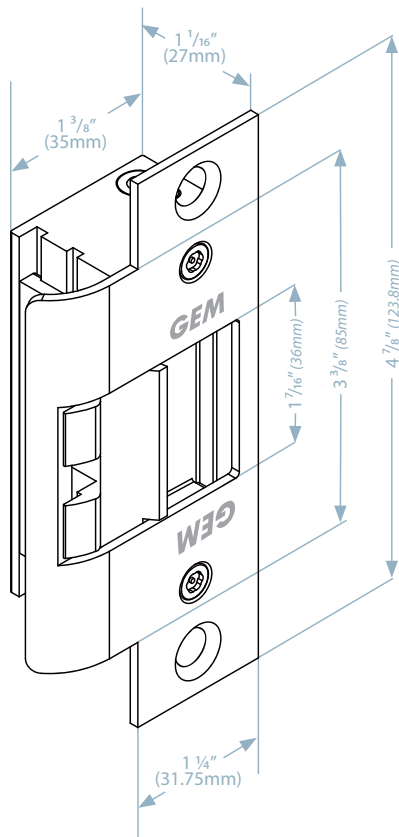


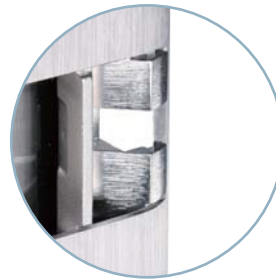
# GK460

## ANSI Strike

- Non Handed Fully Reversible
- 1500lbs (680kg Holding Force)
- Brushed Stainless Steel
- Fail Safe/Fail Secure Reversible



Special ramp design for quick and easy installation.



### CHANGING FAIL-SAFE / FAIL-SECURE

Fail-safe or fail-secure is field reversible by reversing the round screw.

