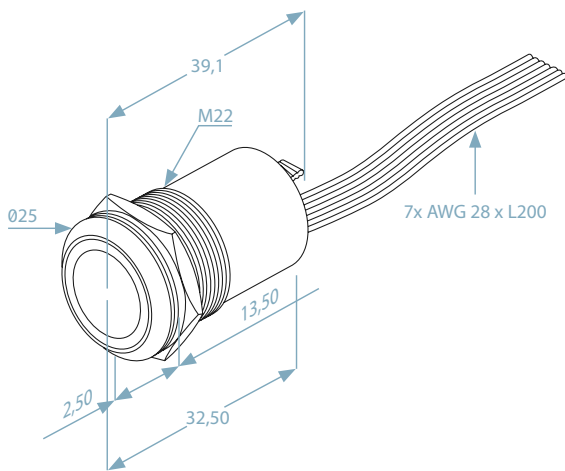


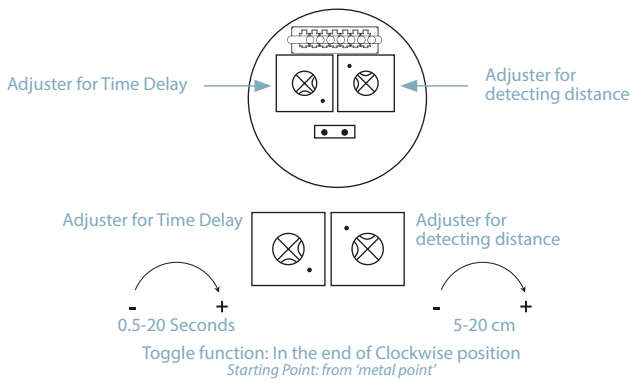
DRB-IR-1224

Flush IR Button

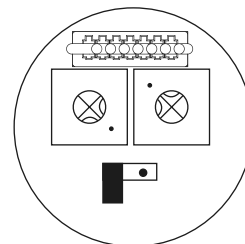
- Brushed Stainless Steel Plate
- IR Button
- Flush mount
- COM-N/O - N/C
- 12~24VDC Operation



SETTINGS

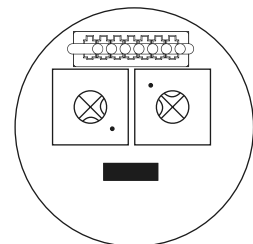


INT/EXT MODE



INT MODE

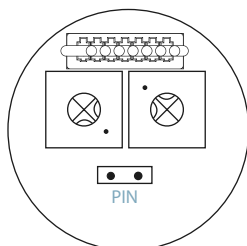
INT: Factory setting, with Jumper open
LEDs will be controlled by IR button



EXT MODE

EXT: with Jumper closed
LEDs will be controlled by system

CABLES



- Red cable: 12-24VDC
- Black cable: 0VDC
- Yellow: Green LED controlled in EXT
- White: Red LED controlled in EXT mode

- Green: N.O
- Blue: COM
- Purple: N.C

} Change-over Contact

