

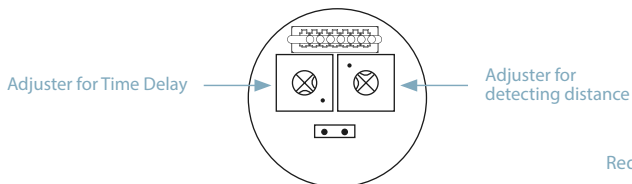
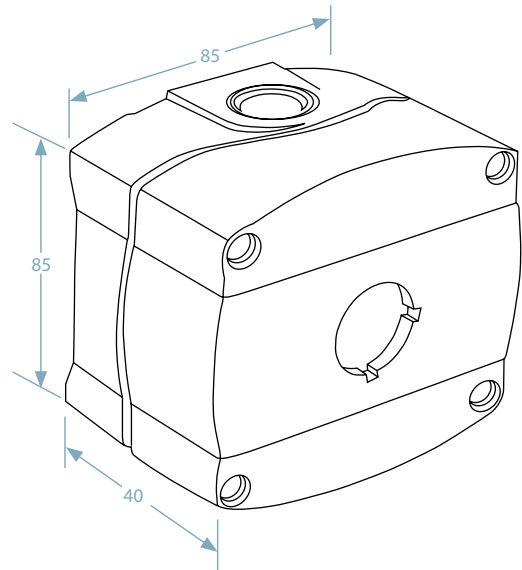
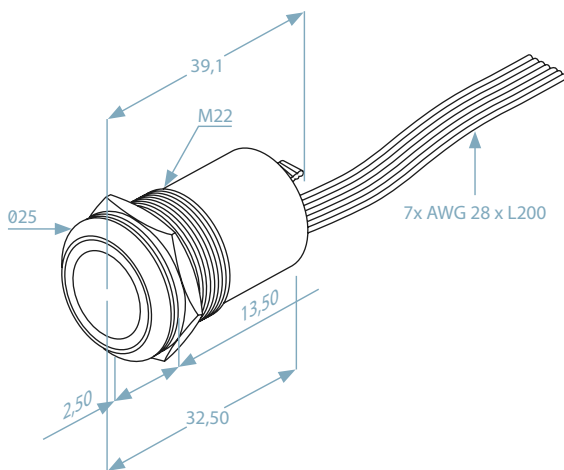
DRB-IR-1224-WP

Exit Button

- Infra Red Button
- ABS Plastic
- Legend: Door Release
- Surface mount
- 12~24VDC Operation
- Weather resistant: IP65
- COM-N/O - N/C



WEATHER
RESISTANT
— IP65 —



0.5-20 Seconds

5-20 cm

Toggle function: In the end of Clockwise position
Starting Point: from 'metal point'

Red cable: 12-24VDC

Black cable: 0VDC

Yellow: Green LED controlled in EXT

White: Red LED controlled in EXT mode

Green: N.O

Blue: COM

Purple: N.C

} Change-over Contact

