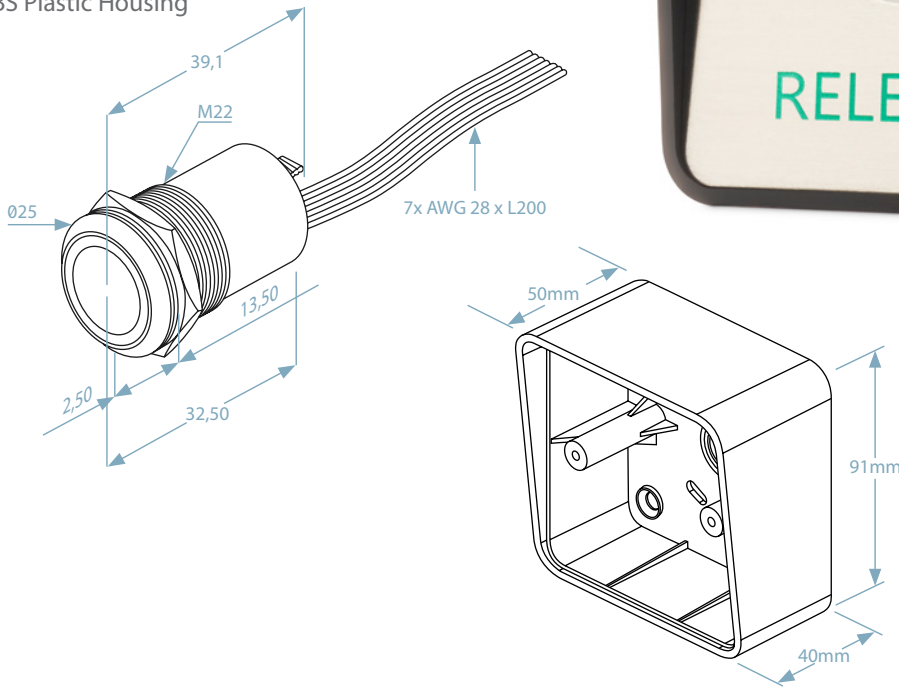


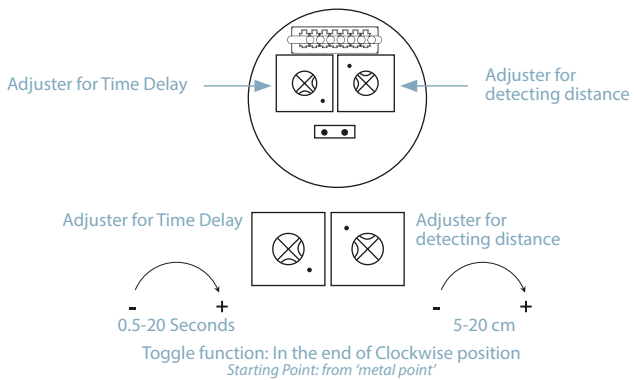
DRB-IR-1224-SBB-BLK

Flush IR Button

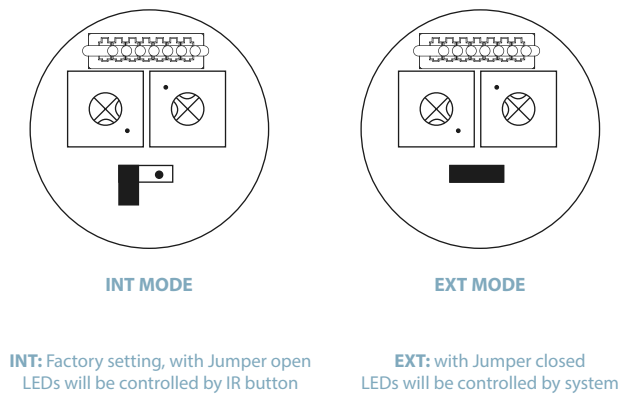
- Brushed Stainless Steel Plate
- IR Button
- Surface mount
- COM-N/O - N/C
- 12~24VDC Operation
- ABS Plastic Housing



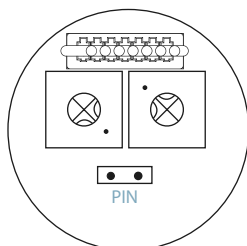
SETTINGS



INT/EXT MODE



CABLES



Red cable: 12-24VDC
 Black cable: 0VDC
 Yellow: Green LED controlled in EXT
 White: Red LED controlled in EXT mode

Green: N.O
 Blue: COM
 Purple: N.C
 } Change-over Contact

