

DRB-101-PTE

External Vandal Switch

- Brushed Stainless Steel
- Surface Mount
- COM / NO / NC
Change-over-contacts
- Heavy Duty **ITW** Green Dome
- Security Screws Provided

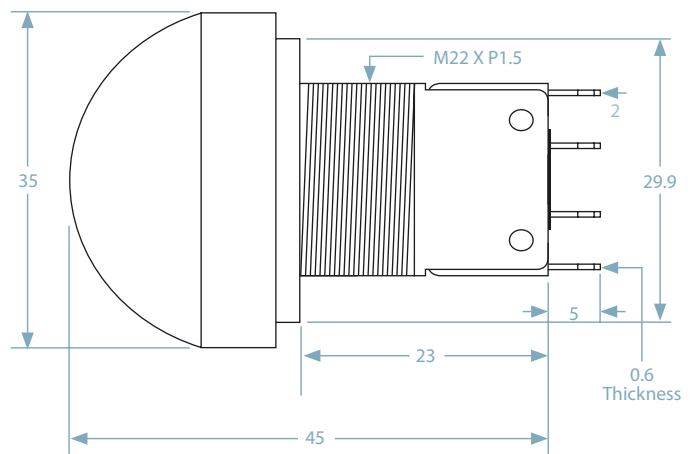
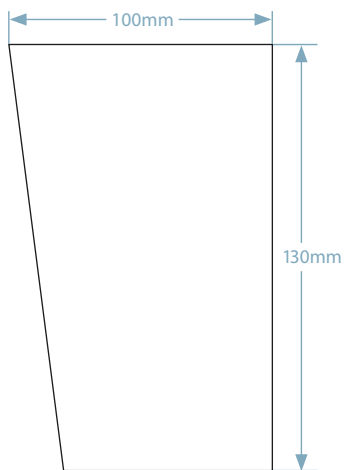


WIDTH **90**

HEIGHT **130**

DEPTH **100**

Dimensions in mm.



Operating Travel 2.7

