

DG-850-TH-G

Standalone Keypad Access

- Operating voltage 12Vdc
- Die-cast Metal
- Allows up to 20+1 PIN codes
- Touch Panel keypad
- Dual relays output for multi-control
- Weather resistant
- 4 or 5 Digit Codes
- 3 LED displays with audible indication



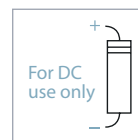
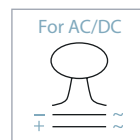
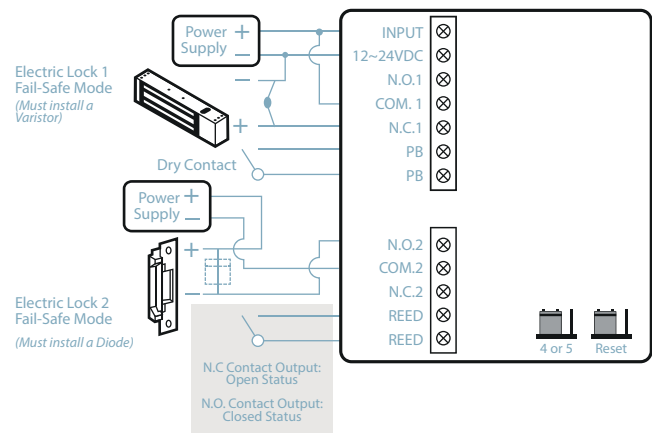
WEATHER
RESISTANT
—IP65—



VANDAL
RESISTANT

SPECIFICATION

- Current draw: Average 70mA, Peak 90mA@12VDC.
- Input: 1 x Request-to-exit, time out reed switch contact
- Output: Dual relays, N.O./N.C/Com. Output (*volt free contact*).
- Relays Rating: 2A MAX@30VDC., 0.4A@120VAC.
- Fully programmable via keypad and master code.
- Factory master code: 12345 -1234.
- Memory Volume: 20+1 PIN codes.
Relay 1 is controlled by *01~*20 user slots.
Relay 2 is controlled by *21 user slots.
- Invalid PIN Lock-out: The system will shut down for 60 seconds while 30 codes of incorrectly Master Codes enrolled or Pin codes attempted (*None beeper signal of keypad activations*).



The door strike or relay must have a Varistor or a Diode across the door strike terminals to suppress the back EMF of the strike-failure to do so will damage the relay contacts and electronic components, or even burns the controller.